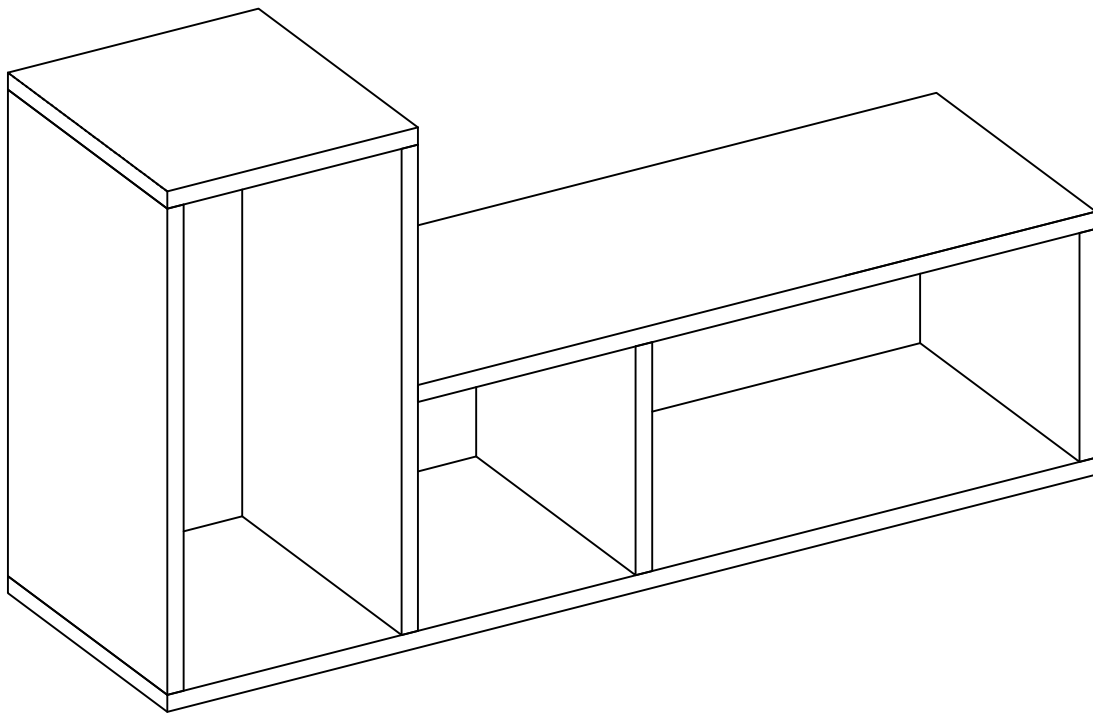


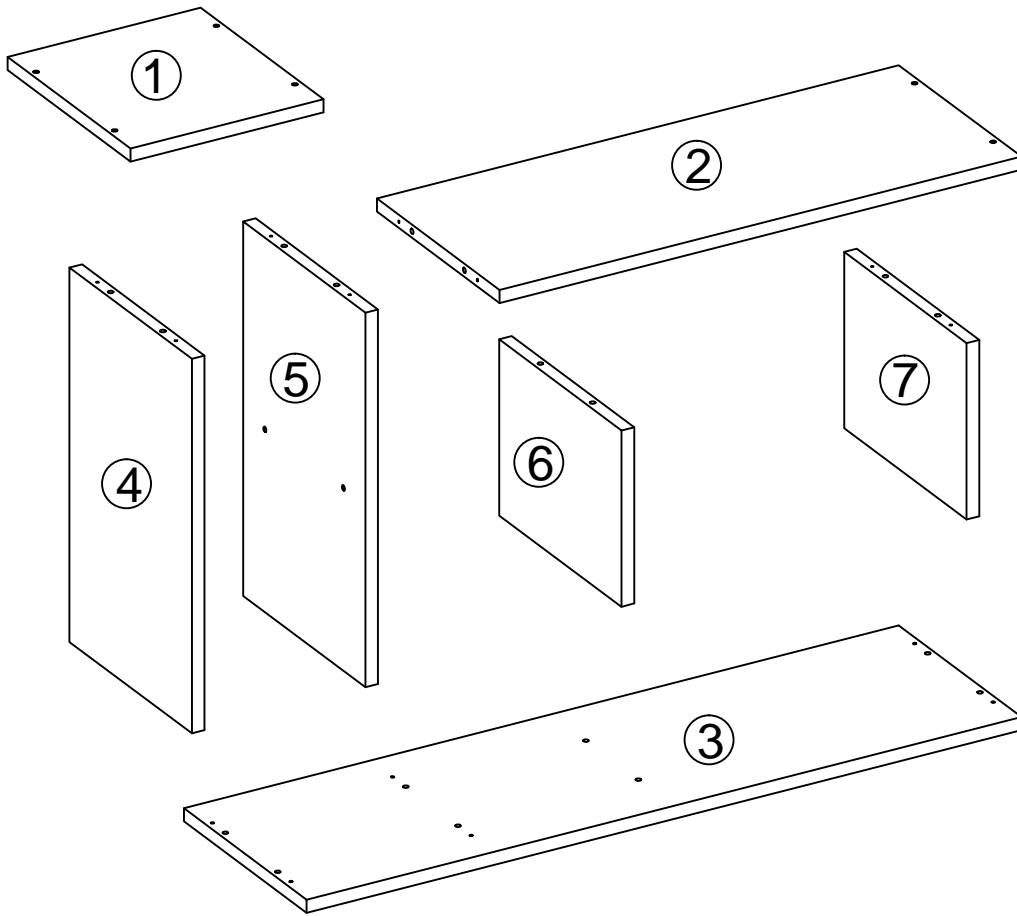
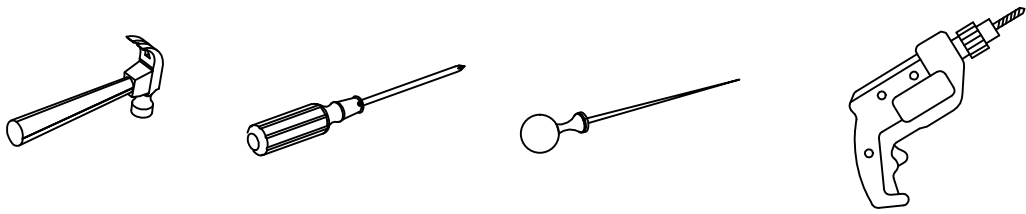
ovela



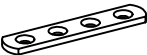

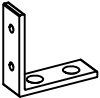

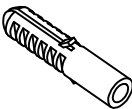

Flexi Stacker Shelf

OVSHLFSMTWA OVSHLFSMTBA

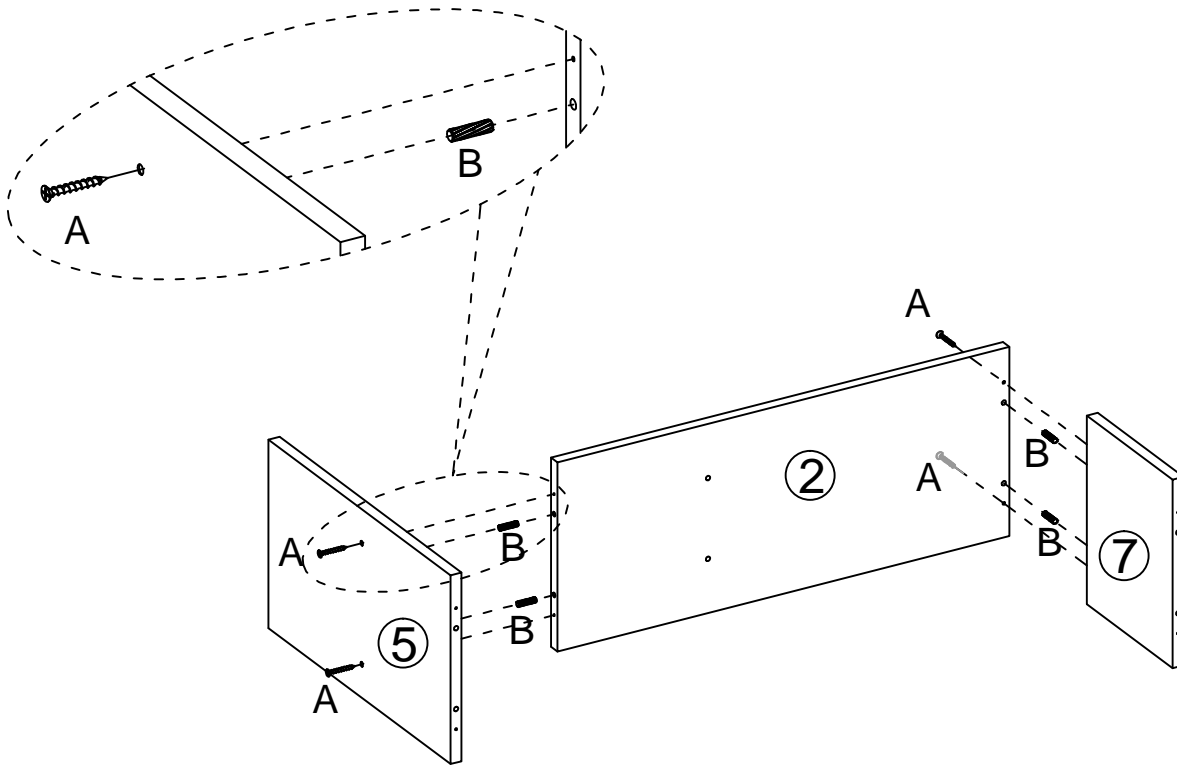
ASSEMBLY INSTRUCTIONS



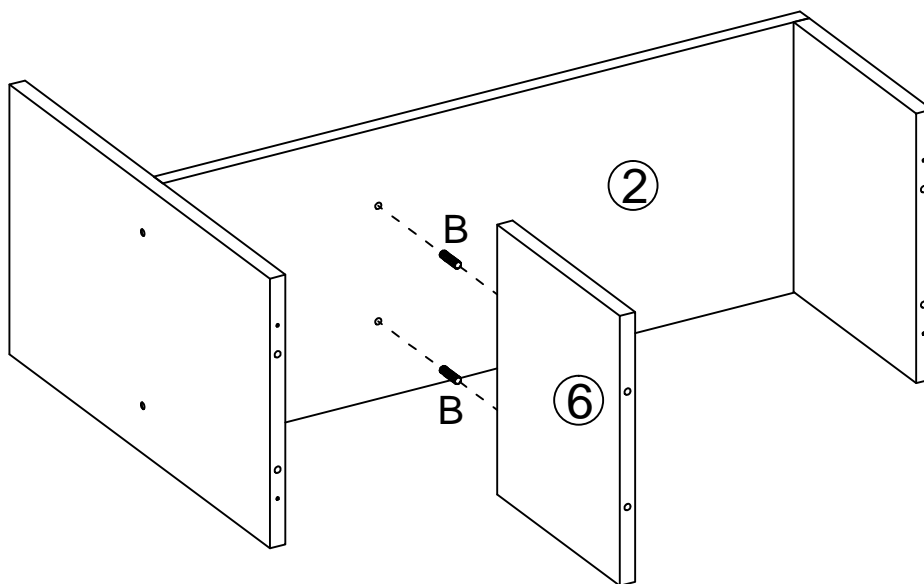


<p>A</p>  <p>14PCS</p>	<p>B</p>  <p>18PCS</p>	<p>C</p>  <p>2PCS</p>	<p>D</p>  <p>12PCS</p>
<p>E</p>  <p>2PCS</p>	<p>F</p>  <p>4PCS</p>	<p>G</p>  <p>4PCS</p>	<p>H</p>  <p>14PCS</p>

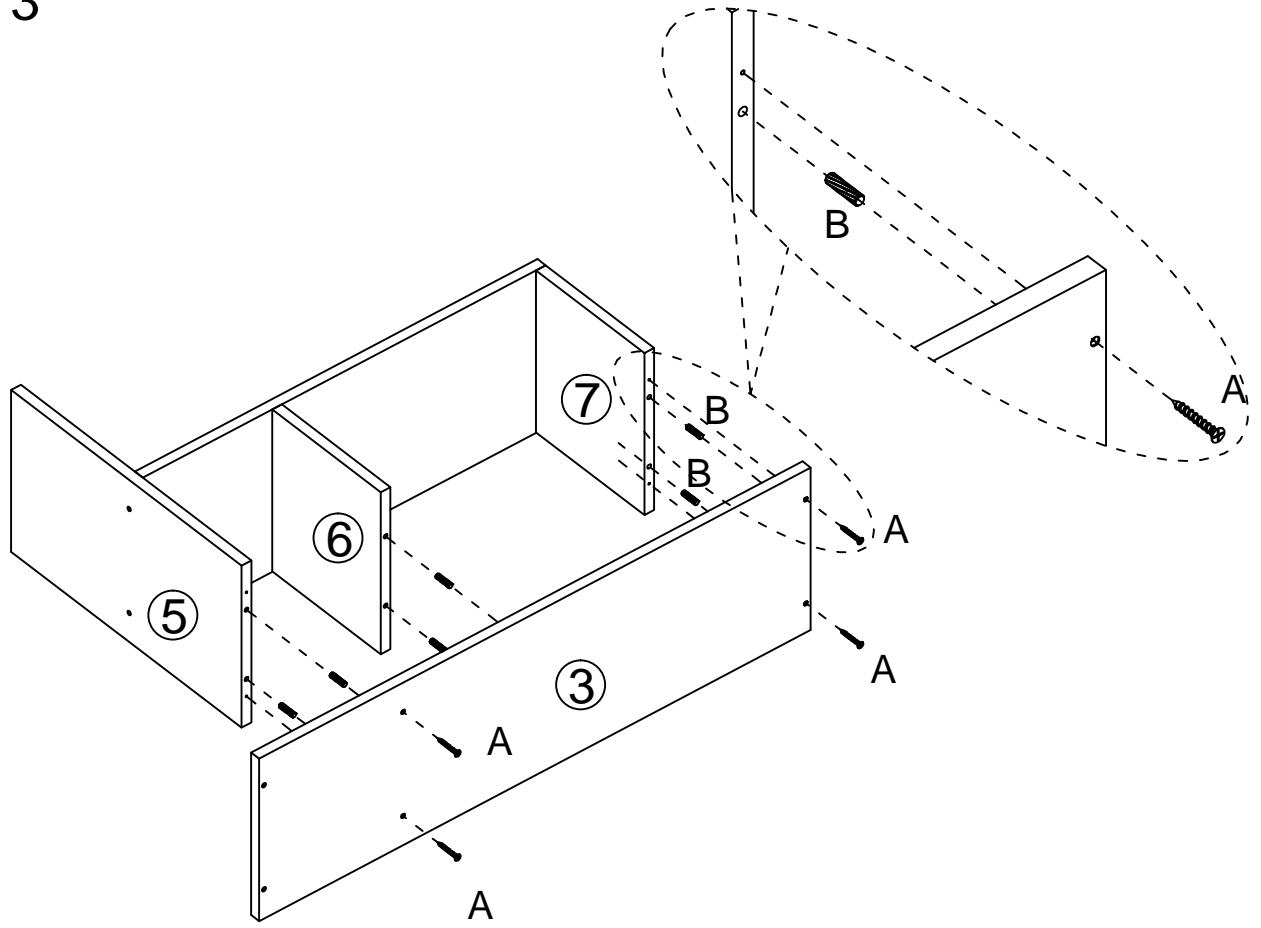
Step 1



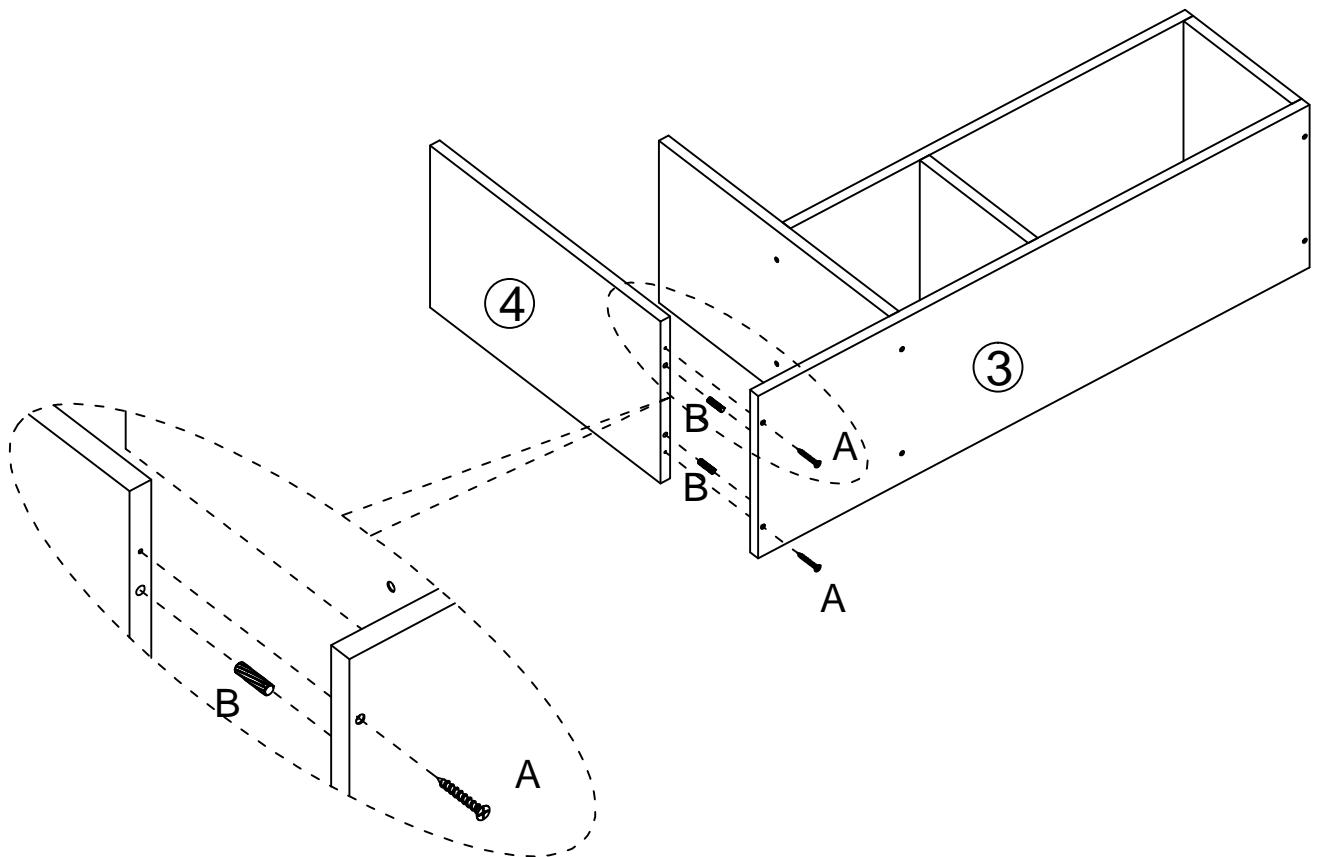
Step 2



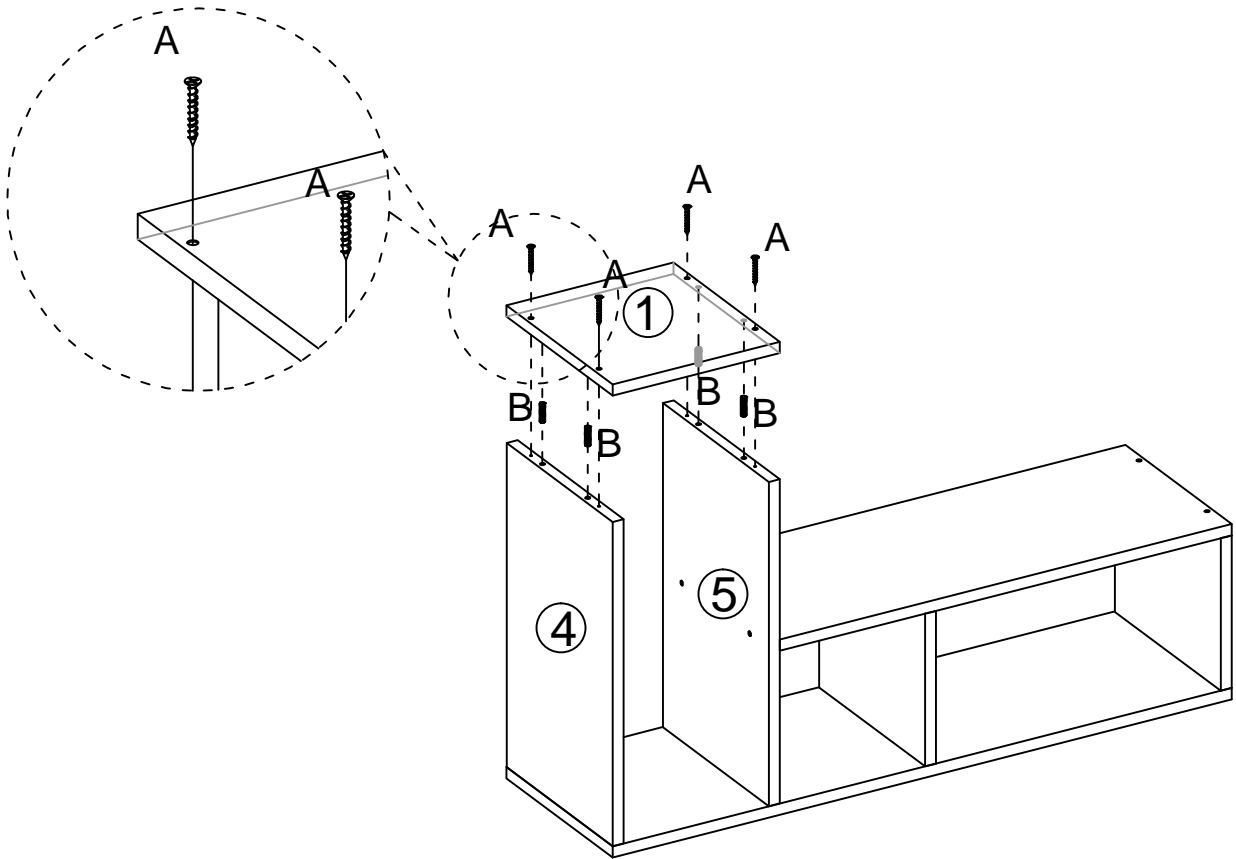
Step 3



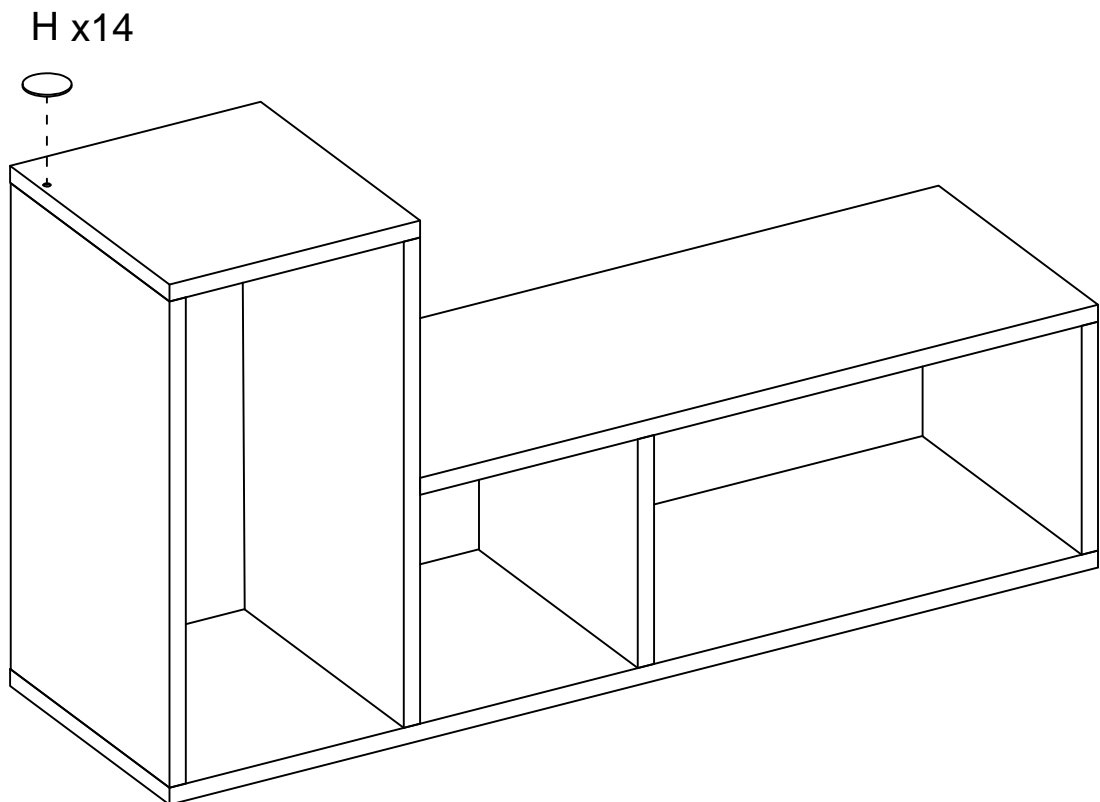
Step 4



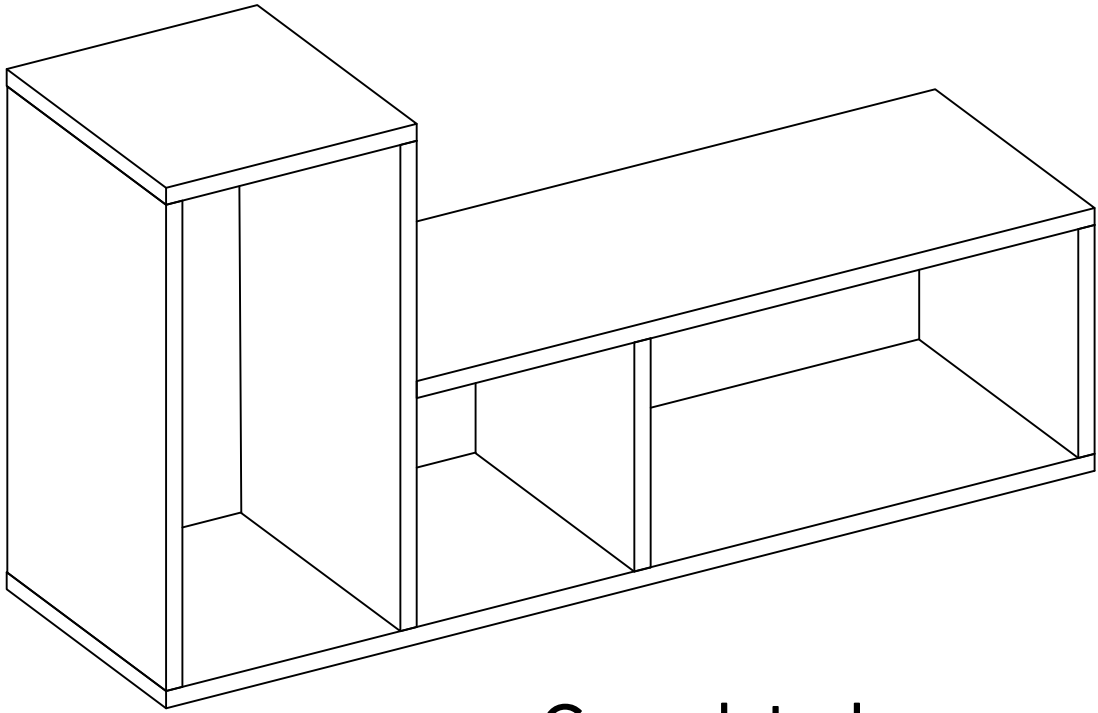
Step 5



Step 6

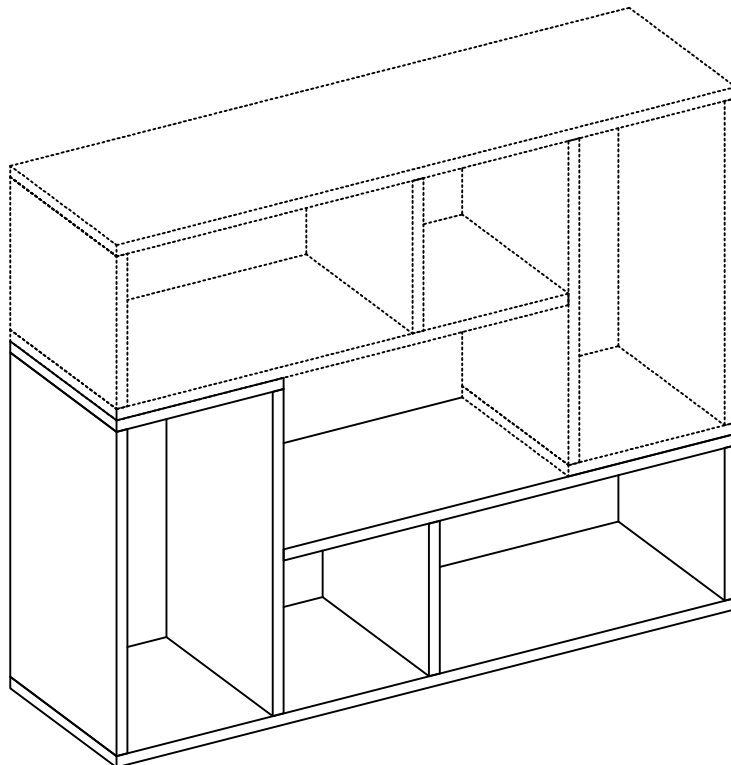


Step 7

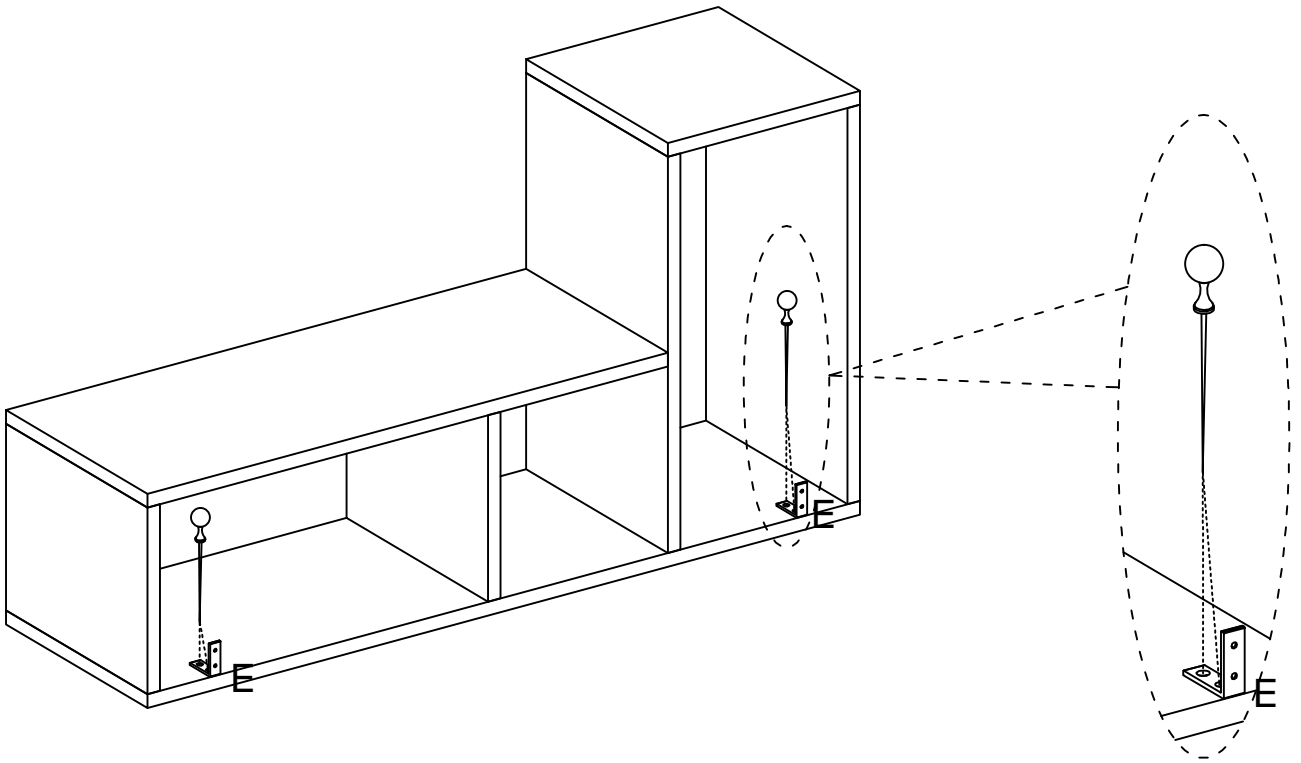


Completed

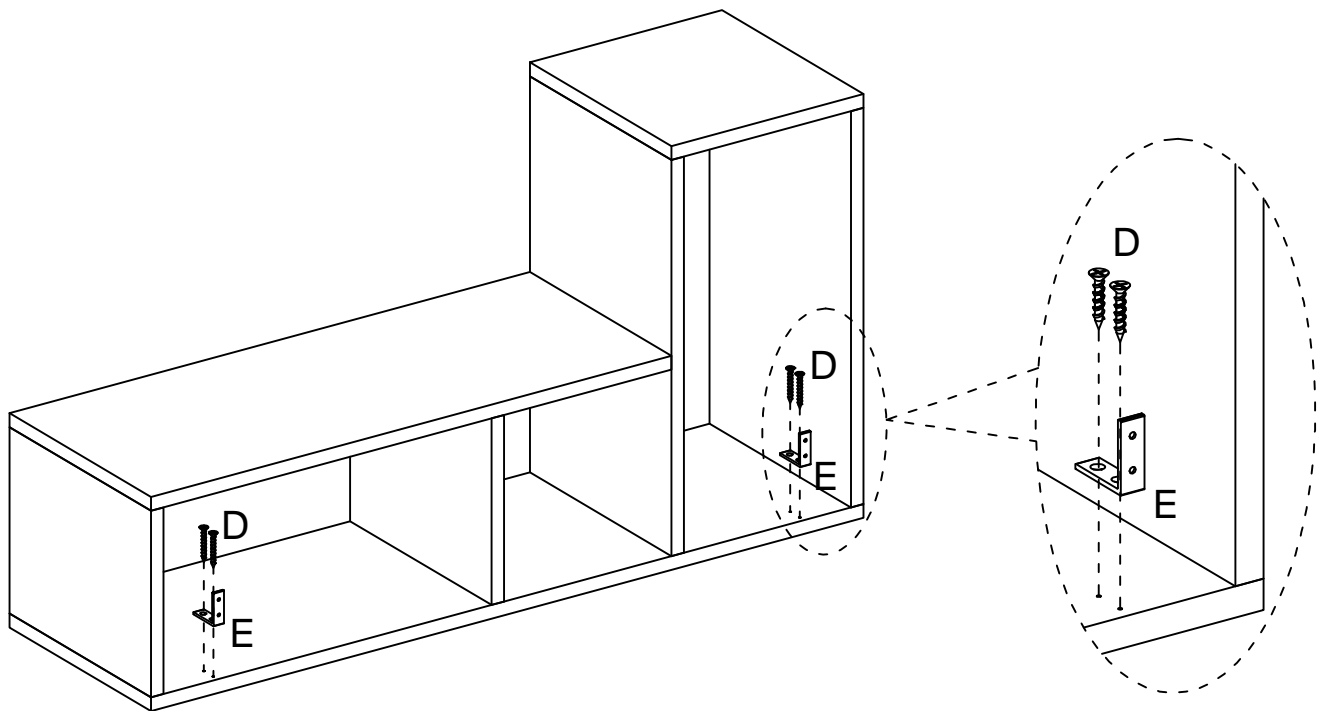
To combine two shelves into a single unit as pictured below, please refer to p7-6.



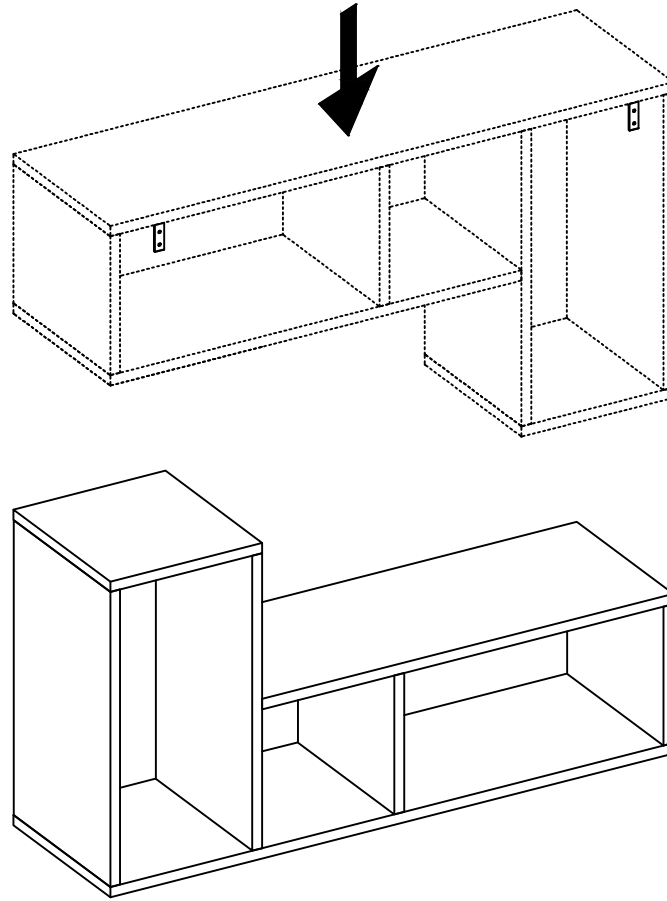
Step 1



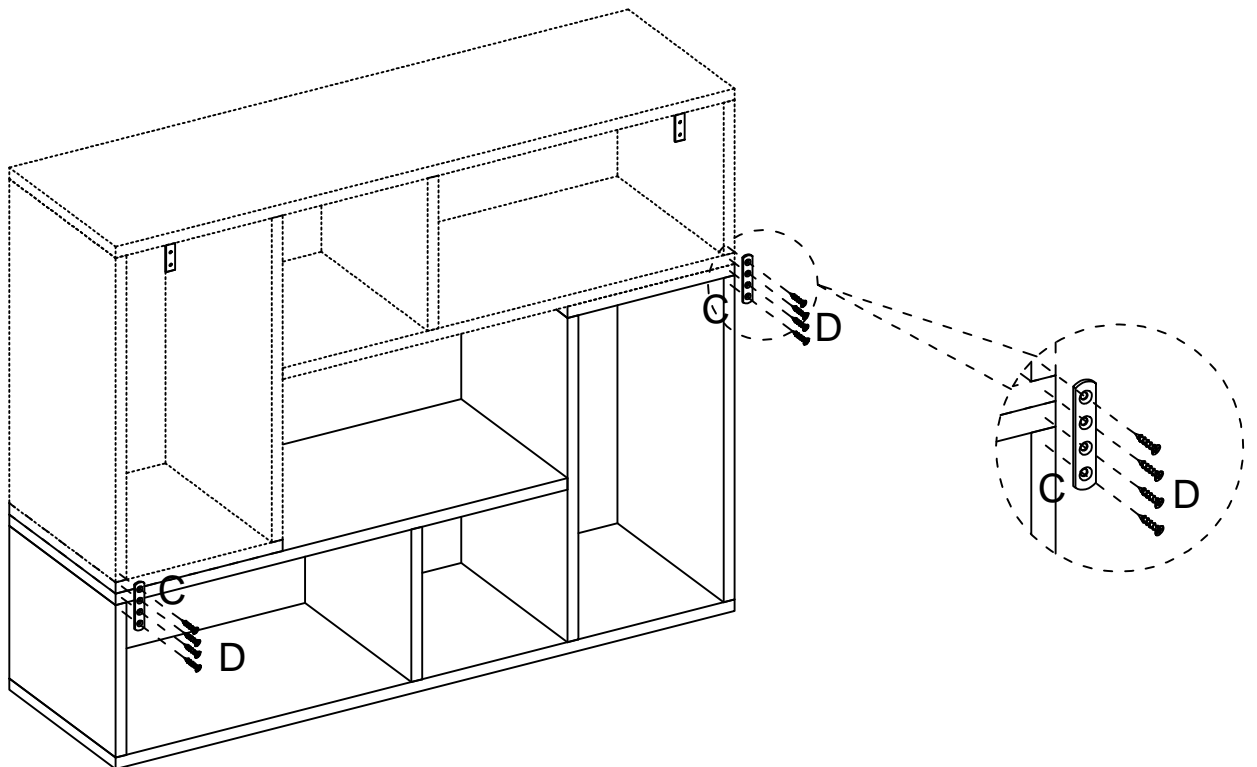
Step 2



Step 3



Step 4



Step 5

