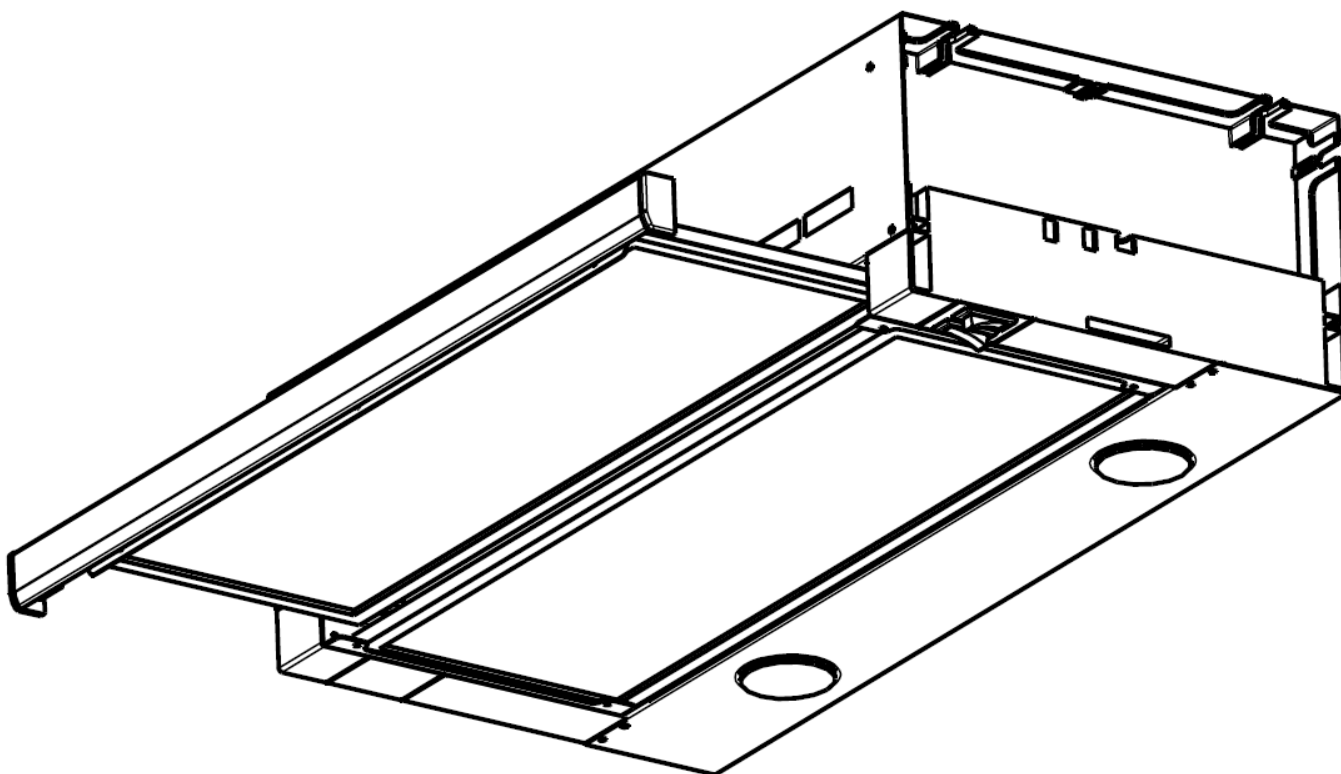
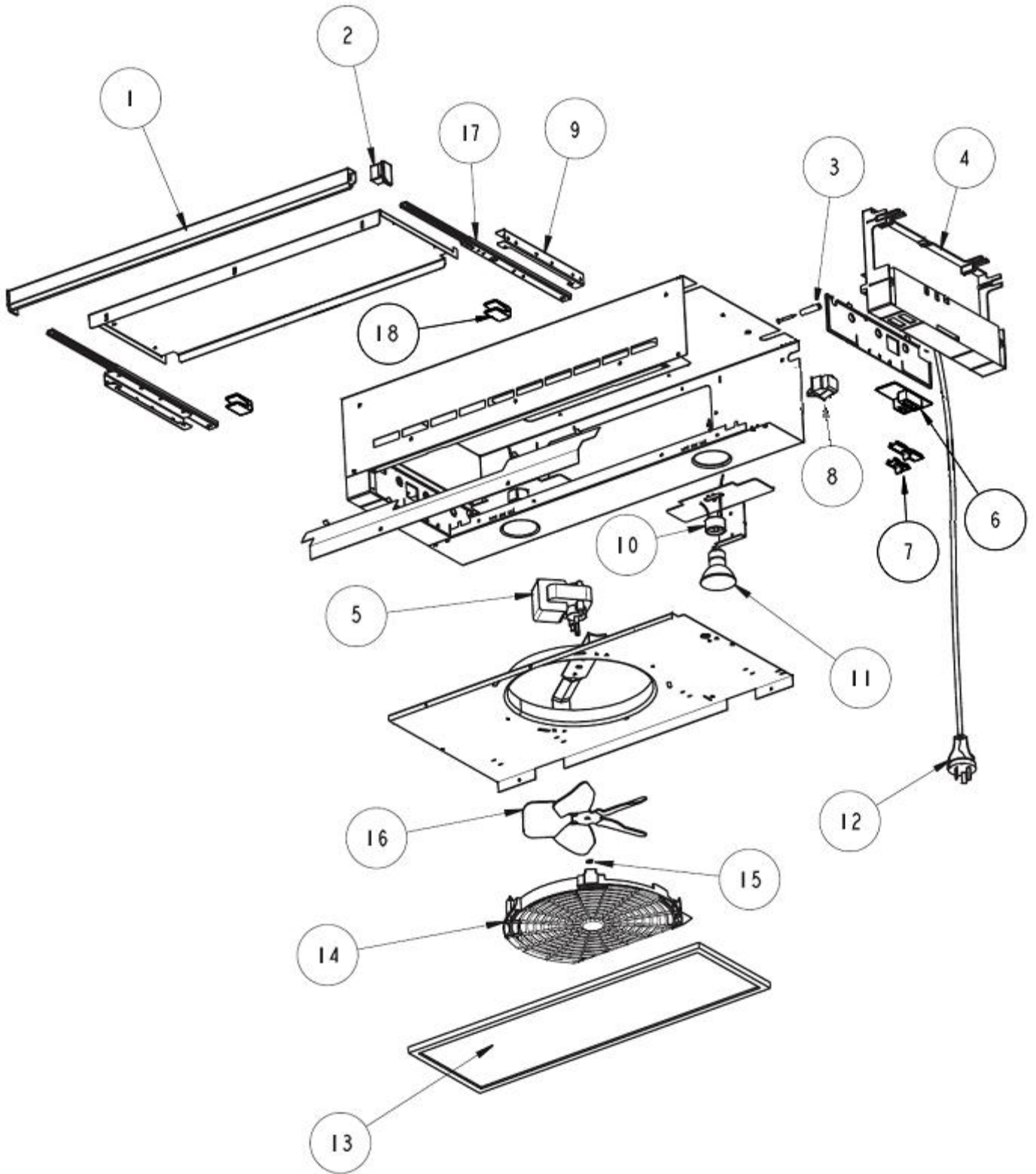


Description: **ROBINHOOD SLIDEOUT**  
Model Number: **RLES6WH, RLES6SS, RLES9WH, RLES9SS**  
**RLES61SS/WH, RLES91SS/WH**



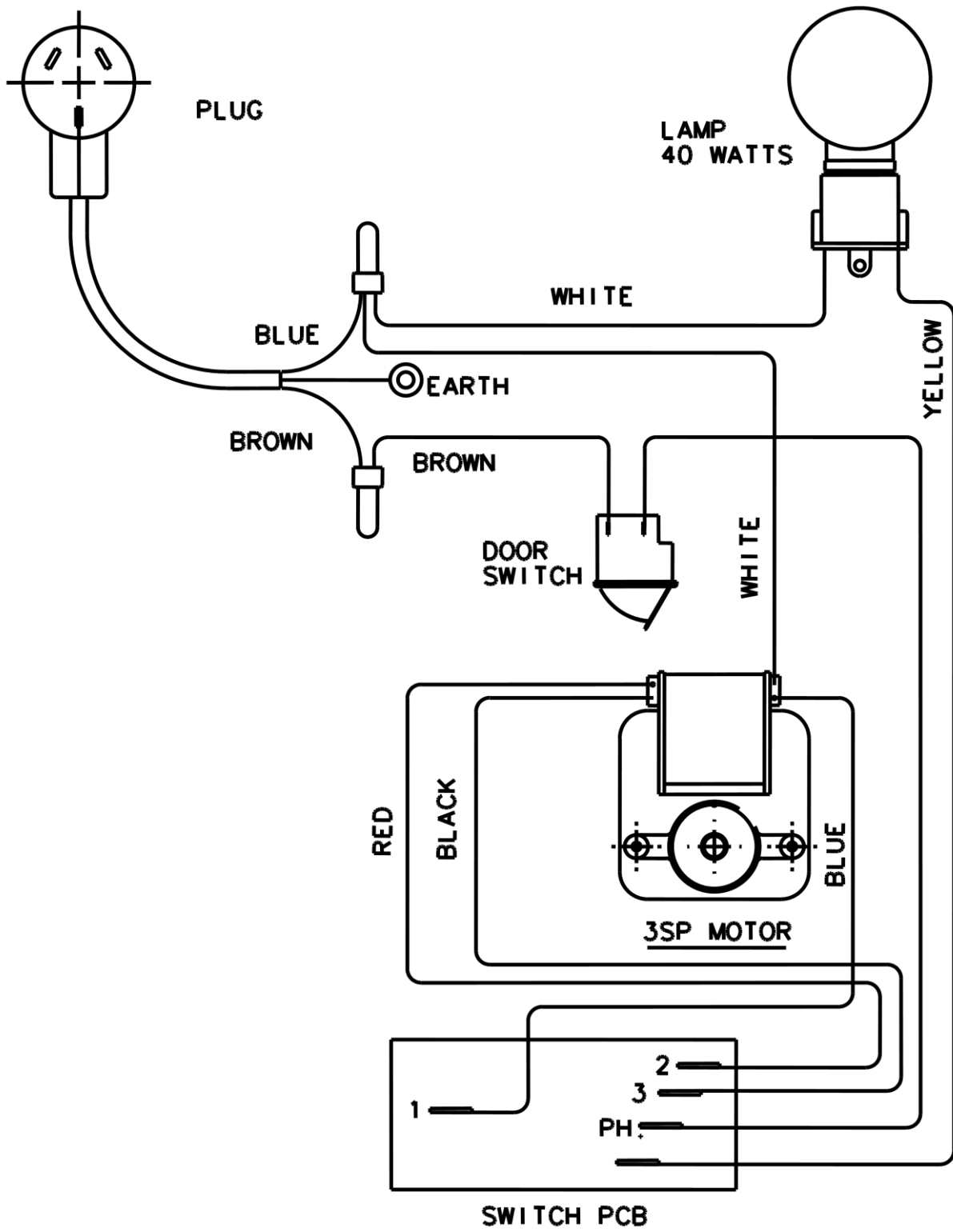
Model pictured: **RLES6WH/SS RLES61SS/WH**

# Exploded view

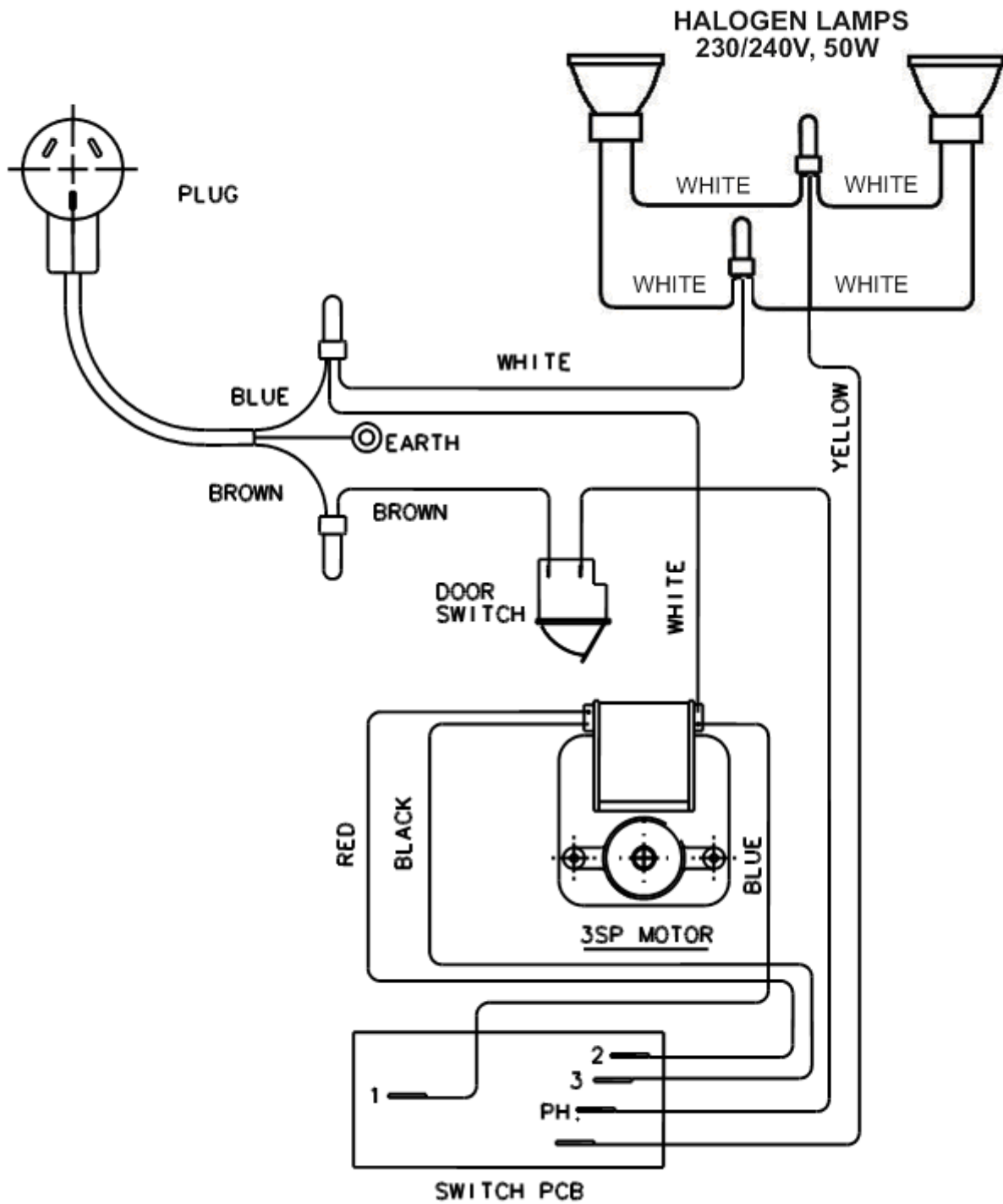


Item	Description	Part number	
		RLES6WH RLES61WH	RLES6SS RLES61SS
1	Front Handle 32mm	103774WH	103775SS
2	End Cap 32mm (If manufactured post 31/7/09)	103778WH	103778BL
	End Cap 32mm (If manufactured between 8/9/08 and 31/7/09) – confirm colour		103778BL or 103778WH
	End Cap 32mm (If manufactured pre 8/9/08)		103778BL
3	Side Fixing Screw and Hollow Dowel Kit (4 pieces)	111053	
4	Side plastic kit includes both sides and inner covers (If manufactured post 31/7/09)	111050	111051
	Side plastic kit as above (If manufactured between 8/9/08 and 31/7/09) – confirm colour		111050 or 111051
	Side plastic kit as above (If manufactured pre 8/9/08)		111051
5	Uppco Motor – 3 Speed	103674	
6	PCB for 3 Speed Switch	103593	
7	Slider Switches (If manufactured post 31/7/09)	102268WH	102268BL
	Slider Switches (If manufactured between 8/9/08 and 31/7/09) – confirm colour		102268WH or 102268BL
	Slider Switches (If manufactured pre 8/9/08)		102268BL
8	Door Switch	102686	
9	Slider Bracket (If manufactured post 31/7/09)	103358WH	103358WH
	Slider Bracket (If manufactured between 8/9/08 and 31/7/09) – confirm colour		103358WH or 103358BL
	Slider Bracket (If manufactured pre 8/9/08)		103358BL
10	Halogen lamp holder (If manufactured post 21/4/08)	111021	
	Halogen lamp holder (If manufactured between 24/11/08 and 18/12/08)	111075	
	Incandescent lamp holder (If manufactured pre 21/4/08)	101104	
11	Halogen Lamp (If manufactured post 21/4/08)	111020	
	Incandescent Lamp (If manufactured pre 21/4/08)	102722	
NS	Incandescent lamp diffuser (If manufactured pre 21/4/08)	103125	
12	Power Cord	103821	
13	Filter Aluminium Mesh 478 x 188	103831	
	Filter Charcoal 478 x 188 (pack of 2)	1497	
14	Finger Guard	103943	
15	E-Clip	999084	
16	Fan Blade	102283	
17	Sliding track (If manufactured post 31/7/09)	114350	
	Sliding track (If manufactured pre 31/7/09)	102245	
18	Filter Clip – (If manufactured pre 21/4/08)	102224BLNZ	
	Filter Clip – (If manufactured post 21/4/08)	102224WH	

Item	Description	Part number	
		RLES9WH RLES91WH	RLES9SS RLES91SS
1	Front Handle 32mm	Not available	103777SS
2	End Cap 32mm (If manufactured post 31/7/09)	103778WH	103778BL
	End Cap 32mm (If manufactured between 8/9/08 and 31/7/09) – confirm colour		103778BL or 103778WH
	End Cap 32mm (If manufactured pre 8/9/08)		103778BL
3	Side Fixing Screw and Hollow Dowel Kit (4 pieces)	111053	
4	Side plastic kit includes both sides, inner covers (If manufactured post 31/7/09)	111050	111051
	Side plastic kit as above (If manufactured between 8/9/08 and 31/7/09) – confirm colour		111050 or 111051
	Side plastic kit as above (If manufactured pre 8/9/08)		111051
5	Uppco Motor – 3 Speed	103674	
6	PCB for 3 Speed Switch	103593	
7	Slider Switches (If manufactured post 31/7/09)	102268WH	102268BL
	Slider Switches (If manufactured between 8/9/08 and 31/7/09) – confirm colour		102268WH or 102268BL
	Slider Switches (If manufactured pre 8/9/08)		102268BL
8	Door Switch	102686	
9	Slider Bracket (If manufactured post 31/7/09)	103358WH	103358WH
	Slider Bracket (If manufactured between 8/9/08 and 31/7/09) – confirm colour		103358WH or 103358BL
	Slider Bracket (If manufactured pre 8/9/08)		103358BL
10	Halogen lamp holder (If manufactured post 21/4/08)	111021	
	Halogen lamp holder (If manufactured between 24/11/08 and 18/12/08)	111075	
	Incandescent lamp holder (If manufactured pre 21/4/08)	101104	
11	Halogen Lamp (If manufactured post 21/4/08)	111020	
	Incandescent Lamp (If manufactured pre 21/4/08)	102722	
NS	Incandescent lamp diffuser (If manufactured pre 21/4/08)	103125	
12	Power Cord	103821	
13	Filter Aluminium Mesh 778 x 188	103627	
	Filter Charcoal 778 x 188 (pack of 2)	1498	
14	Finger Guard	103943	
15	E-Clip	999084	
16	Fan Blade	102283	
17	Sliding track (If manufactured post 31/7/09)	114350	
	Sliding track (If manufactured pre 31/7/09)	102245	
18	Filter Clip – (If manufactured pre 21/4/08)	102224BLNZ	
	Filter Clip – (If manufactured post 21/4/08)	102224WH	



**Wiring diagram** - For models manufactured after the 21<sup>st</sup> April 2008



**New Zealand**

Parbury (NZ) Limited  
Telephone: 0800 760 667  
Facsimile: 0800 276 246  
Email: enquiries@robinhood.co.nz  
www.robinhood.co.nz

**Australia**

Parbury Pty Limited  
(ABN 83 004 568 138)  
Telephone: 1800 648 556  
Facsimile: 1800 628 577  
Email: enquiries@robinhood.com.au  
www.robinhood.com.au