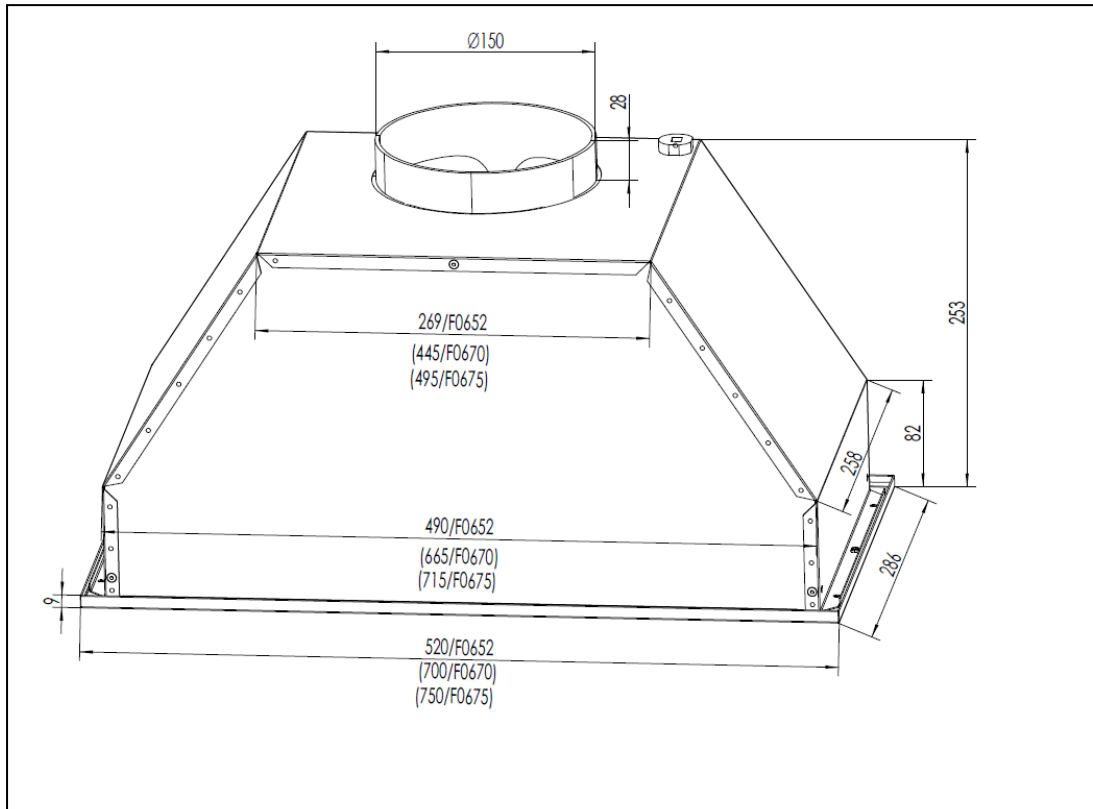


Description: **ROBINHOOD POWERPACK**
 Model Number: **RPB3CL6SS/WH (520mm) RPB3CL9SS/WH (696mm)**

Typical design



Features and benefits

High performance extraction motor

High performance extraction motor rapidly removes steam, smoke and cooking smells from your kitchen. Three-speed switch lets you select the fan strength you ever need. With significant improved performance of the new motor, unit has top performance of 850 m³/hr air

LED lights

Light Emitting Diode (LED) lights are very energy efficient. They generate hardly any heat, which means that nearly all the energy they consume is turned into light. They also last a long time - up to 50,000 hours (that's about 50 times longer than your average incandescent bulb). The bright white glow of LED lights is shining an eco-friendly path to the future.

Multi-layered micromesh filters

Multi-layered micromesh filters effectively trap grease. They're simple to remove and are easily maintained with a regular clean in the dishwasher.

Thermal overload switch

Thermal overload function that senses extreme heat and disconnects power to the motor. If you have a cooking disaster, and something catches fire, the rangehood automatically switches off to prevent flames and sparks being sucked into the ducting or ceiling.

Recirculation option

In situations where ducting isn't possible, your rangehood can be fitted with charcoal filters that effectively cleanse the air before returning it to the kitchen.

Completely hidden from view

This strong performer is designed to stay entirely out of sight. It's as much at home in authentically historic kitchens as it is in the ultra modern. The RPB is also a favourite with people who love a clean uninterrupted look to their home

Specifications

Technical data:

- 3 speed centrifugal motor
- 2x LED Lamp Assembly (Maxel G4 12V 1.5W) LED GLOBE G4
- Air movement: 796 m³/hr MAX.
- Static pressure: 384 Pa.
- Gauge of steel : 0.6mm
- Type of steel (Stainless steel panel): 430 stainless steel
- Finish of steel (Stainless steel panel): brush number 4
- Type of steel (White panel): panel steel
- Finish of steel (White panel): powder coat appliance white
- 240 Volt. 50 Hertz. 290 Watt MAX.
- Tested to EMC AS/NZS – CISPR14:2001
- Electrical approval AS/NZS 3350.2.31.2001
- Performance tested to IEC61591 (replaces AS2682-1984)
- Filter specifications: Three layered micro mesh
- Length of power cord: 1250mm
- Ducting outlet: 150mm diameter round outlet (120 diameter outlet adaptor is also supplied)
- Recirculation option through top ducting outlet

Gross weight: RPB3CL6SS/WH 9.2 kg; RPB3CL9SS/WH 11.4 kg

Carton volume: 0.064m³ (600 model), 0.083m³ (900 model)

Carton dimensions : 567 x 340 x 330mm (600 model), 743 x 340 x 330mm (900 model)

Rangehood dimensions: 520 x 286 x 253mm (600 model), 696 x 286 x 252mm (900 model)

Performance data:

○ RPB3CL6SS/WH

○ RPB3CL9SS/WH

Fan (Speed 3)	796m ³ /hr	Fan (Speed 3)	796m ³ /hr
Noise (Speed 1)	69.4dB	Noise (Speed 1)	69.4dB
Noise (Speed 2)	72.4dB	Noise (Speed 2)	72.4dB
Noise (Speed 3)	76.4dB	Noise (Speed 3)	76.4dB

New Zealand

Monaco Corporation Ltd
Telephone: (09) 415 6000
Facsimile: (09) 415 7400
Email: enquiries@robinhood.co.nz
www.robinhood.co.nz

Australia

Shriro Australia Pty Ltd
ABN 28 002 386 129
Telephone: 1800 648 556
Facsimile: 1800 628 577
Email: enquiries@robinhood.com.au
www.robinhood.com.au