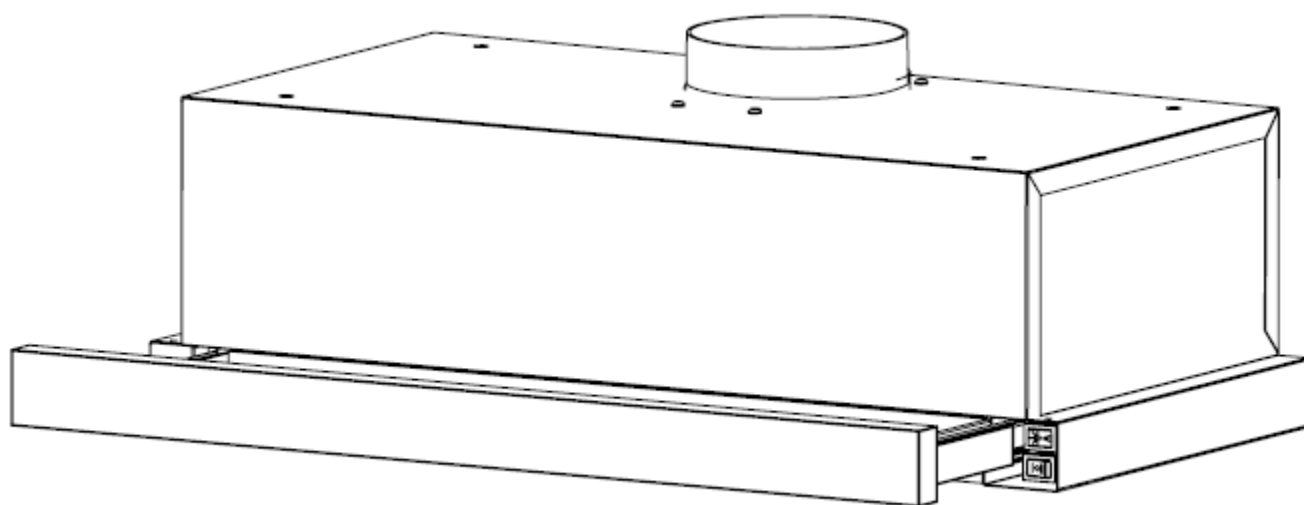


Model Number: **RSA2CL6SS, RSA2CL9SS**
Description: **ROBINHOOD SLIDEOUT**
Bar Codes: **9414930009926, 9414930009933**

Typical design



Features and benefits

Features

- 2 x LED lights
- 2 x 3 layer micro mesh filters
- Top ducting round 150mm
- Grey Powder coated paint finish
- Welded seams
- Safety thermal overload switch
- Fan and lights operate automatically when door opened/closed
- Fire retardant plastic panels

Benefits

- Provides plenty of light for cooking
- Effective grease filters that are dishwasher proof
- Allows flexible ducting options
- Clean, smooth finish with attractive looks
- Solid construction for long life
- Provides peace of mind by automatically switching off if a fire occurs, preventing the fire being sucked up into the ceiling.
- Easy operation
- Ensures light shines on the cooking surface

Specifications

Technical data:

- 2 x 1W LED lamps
- Centrifugal fan motor 2 speed
- Voltage – 220-240 Volts / 50 Hertz / 202 Watts
- Tested to EMC: AS/NZS CISPR 14.1:2010
- Electrical Testing: AS/NZS 60335.2.31:2004, +A1:2006+A2:2007+A3:2009
- Airflow tested to IEC61591 – Nett 650/724m³, Gross 775m³

600mm

Weight: 8.5 kg Nett, 9.5 kg Gross

Carton Dimension (mm): (650w x 355d x 350h)

Volume (m³): .08m³

900mm

Weight: 11.5 kg Nett, 12.5 kg Gross

Carton Dimension (mm): (950w x 355d x 350h)

Volume (m³): .12m³

- Performance data:
Airflow Gross 775m³
Tested to: IEC61591

Gross	775m ³ /hr
Fan Speed 1 Nett	650m ³ /hr
Fan Speed 2 Nett	724m ³ /hr
Noise speed 1	59dB
Noise speed 2	61dB

Australia
Shriro Australia Pty Ltd
(ABN 28 002 386 129)
Telephone: 1800 648 556
Facsimile: 1800 628 577
Email: enquiries@robinhood.com.au
www.robinhood.com.au

New Zealand
Monaco Corporation Ltd
Telephone: (09) 415 6000
Facsimile: (09) 415 7400
Email: enquiries@robinhood.co.nz
www.robinhood.co.nz