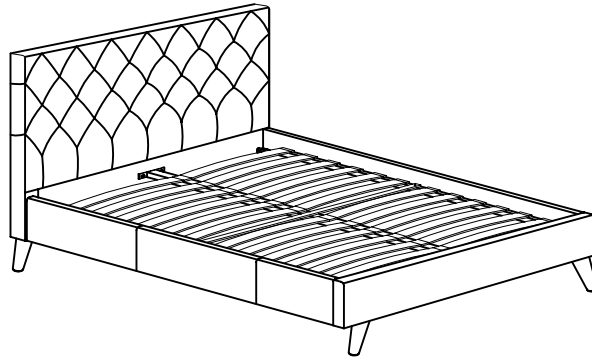
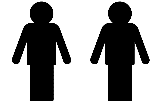


SHANGRI-LA




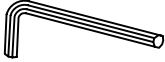


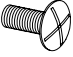
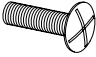
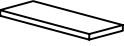



ASSEMBLY INSTRUCTION



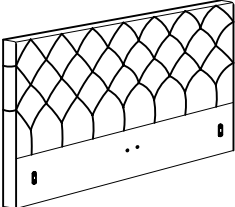
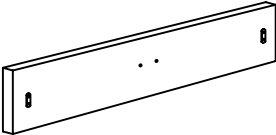
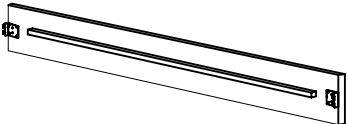
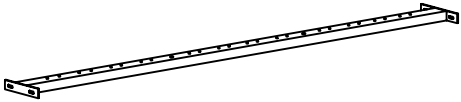
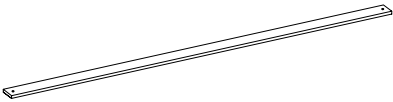
Tools Needed
2 person build



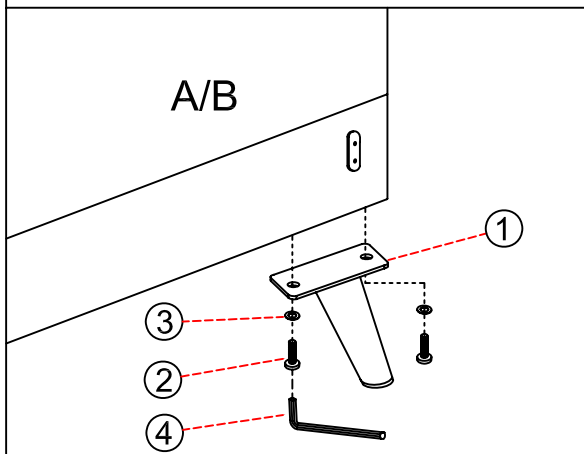
BED FITTINGS

					
Feet	Gold Bolt(m8*20)	Washers (m8)	Allen Key (M5)	Gold Bolts (m8*18)	Metal Support legs
① X 4	② X 8	③ X 12	④ X 1	⑤ X 8	⑥ X 2
					
Bolts (m8*20)	Bolts (m6*35)	Felt Pad	End plastic cap(Big)	End plastic cap(Small)	Slats
⑦ X 6	⑧ X 2	⑨ X 1	⑩ X 12	⑪ X 24	⑫ X 24

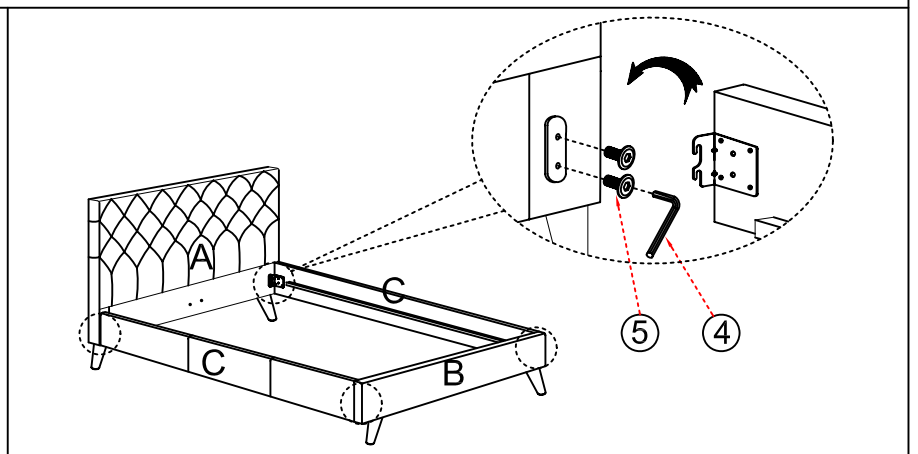
PART LIST

		
Headboard	Footboard	Side Rails
A X 1	B X 1	C X 2
		
Center Rail	Cross Rail	
D X 1	E X 1	

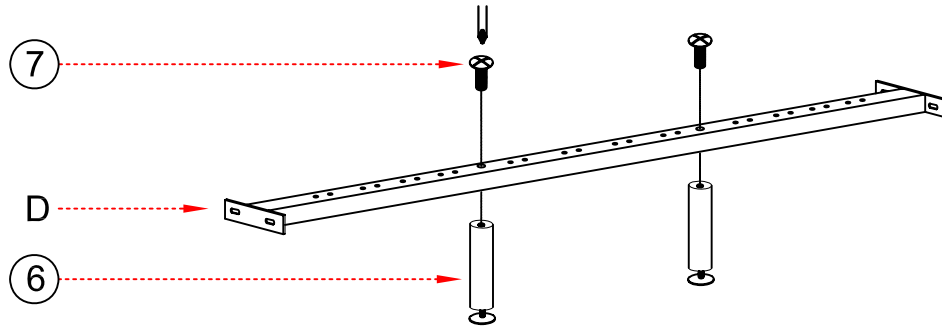
Step 1



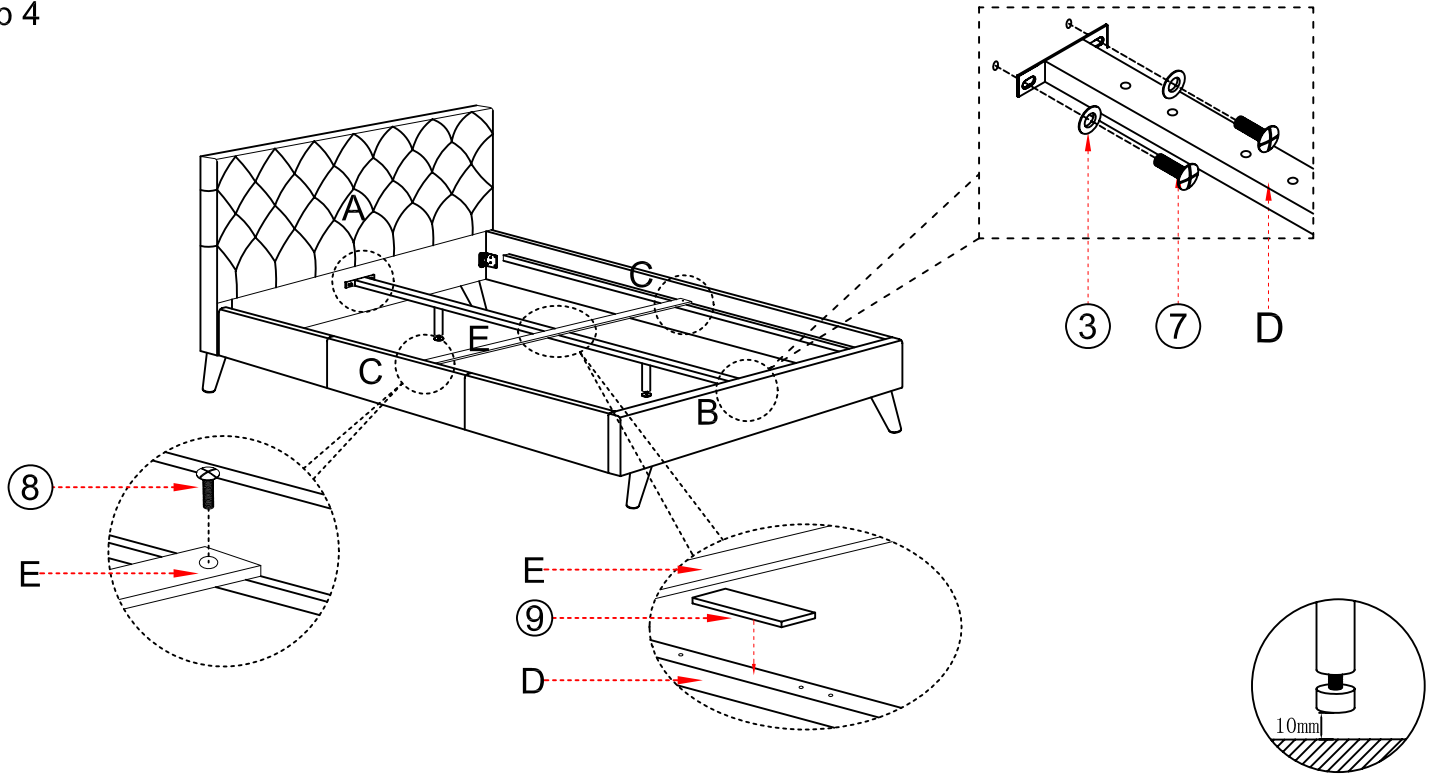
Step 2



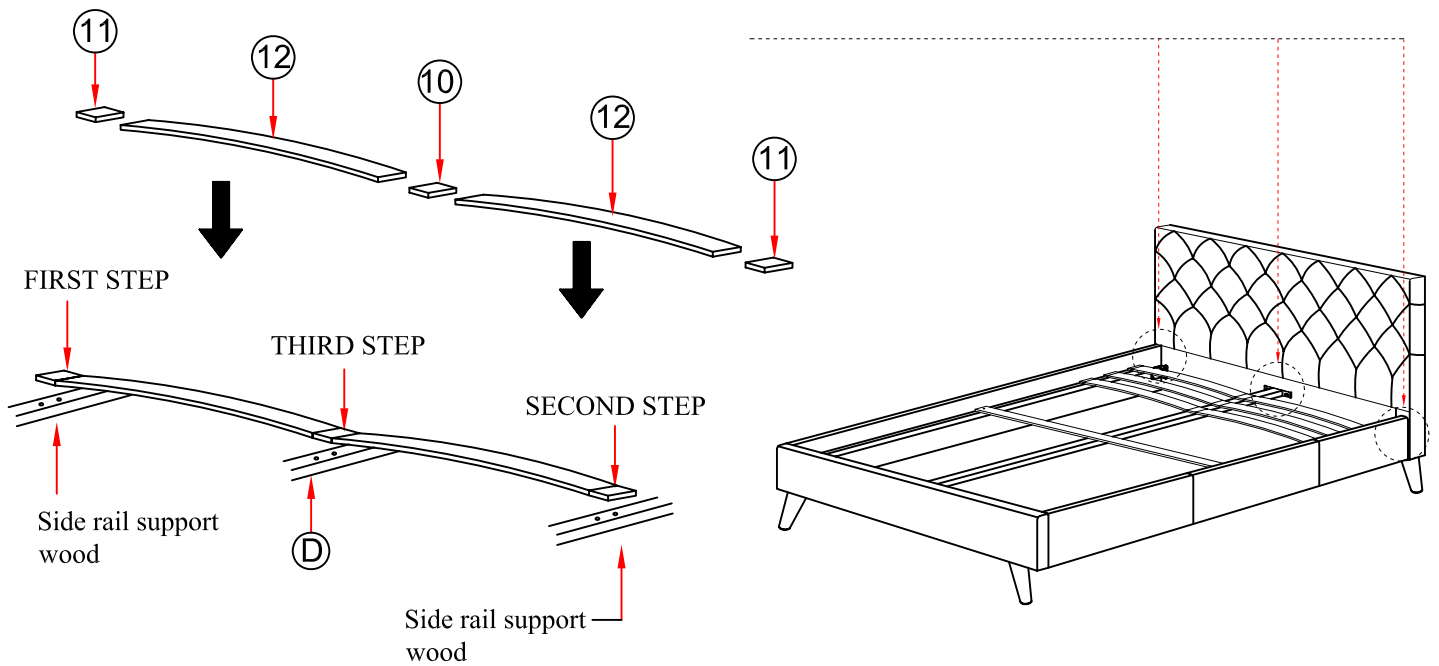
Step 3



Step 4



Step 5



REMARK : ONCE BED IS ASSEMBLED, **DO NOT** SIT, STAND OR APPLY WEIGHT DIRECTLY TO SLATS UNLESS MATTRESS IS IN PLACE.