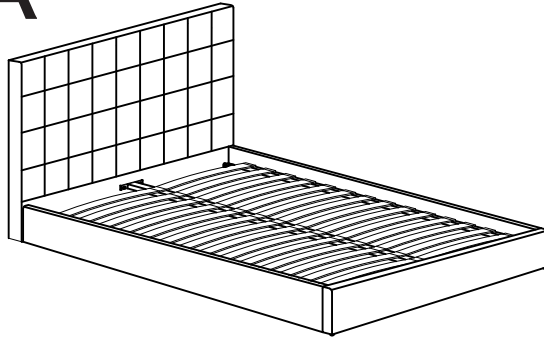


ASSEMBLY INSTRUCTIONS

SHANGRI-LA



Tools Needed
2 person build



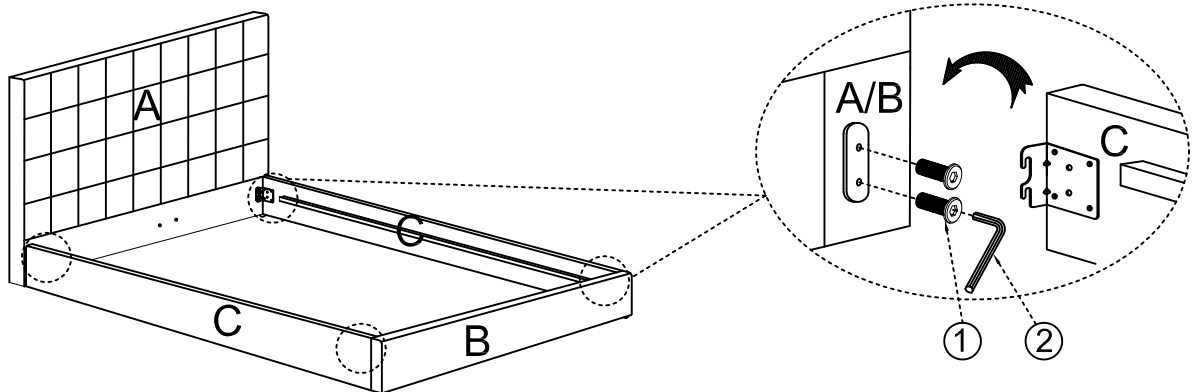
BED FITTINGS

Gold Bolts (m8*18)	Allen Key (M5)	Bolts (m8*20)	Metal Support legs
① X 8	② X 1	③ X 6	④ X 2
Washers (m8)	End plastic cap(Big)	End plastic cap(Small)	Slats
⑤ X 4	⑥ X 14	⑦ X 28	⑧ X 28

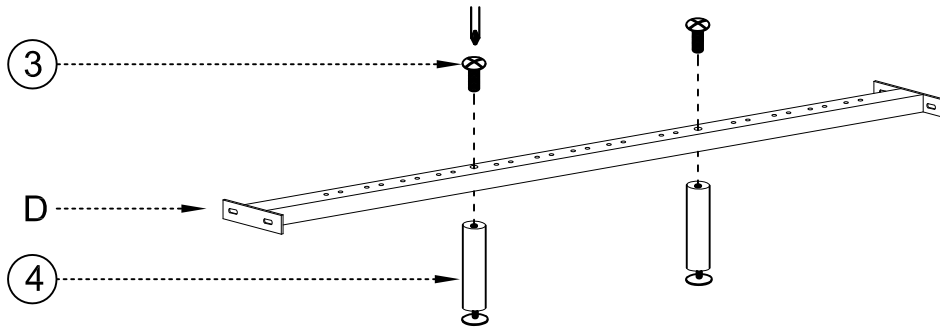
PART LIST

Headboard	Footboard
A X 1	B X 1
Side Rails	Center Rail
C X 2	D X 1

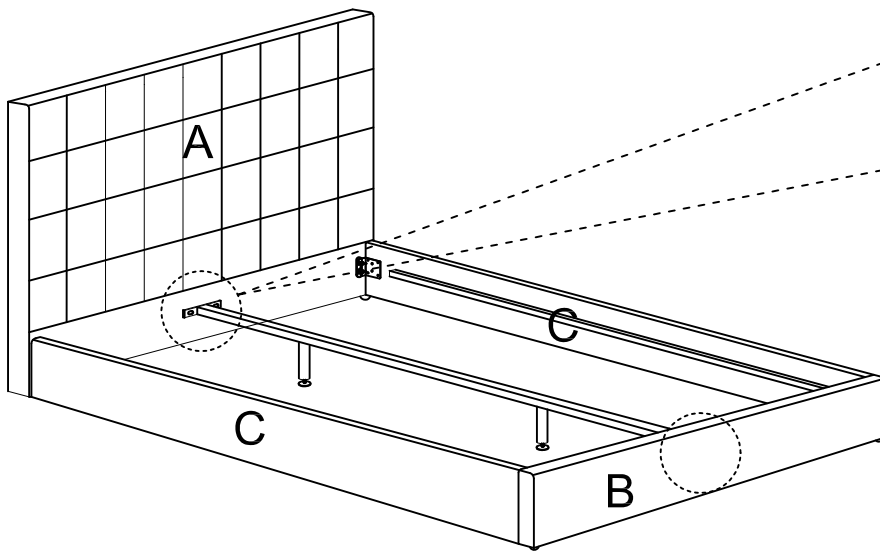
Step 1



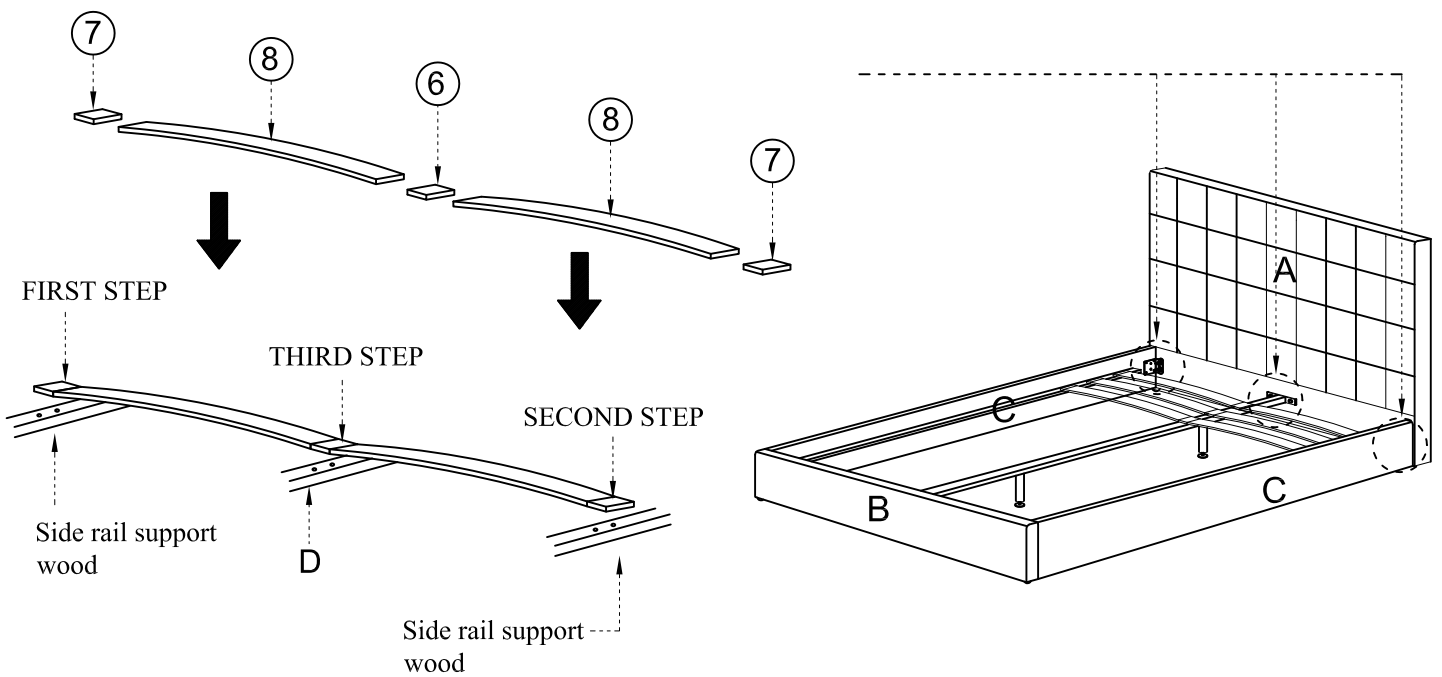
Step 2



Step 3



Step 4



REMARK : ONCE BED IS ASSEMBLED, **DO NOT** SIT, STAND OR APPLY WEIGHT DIRECTLY TO SLATS UNLESS MATTRESS IS IN PLACE.