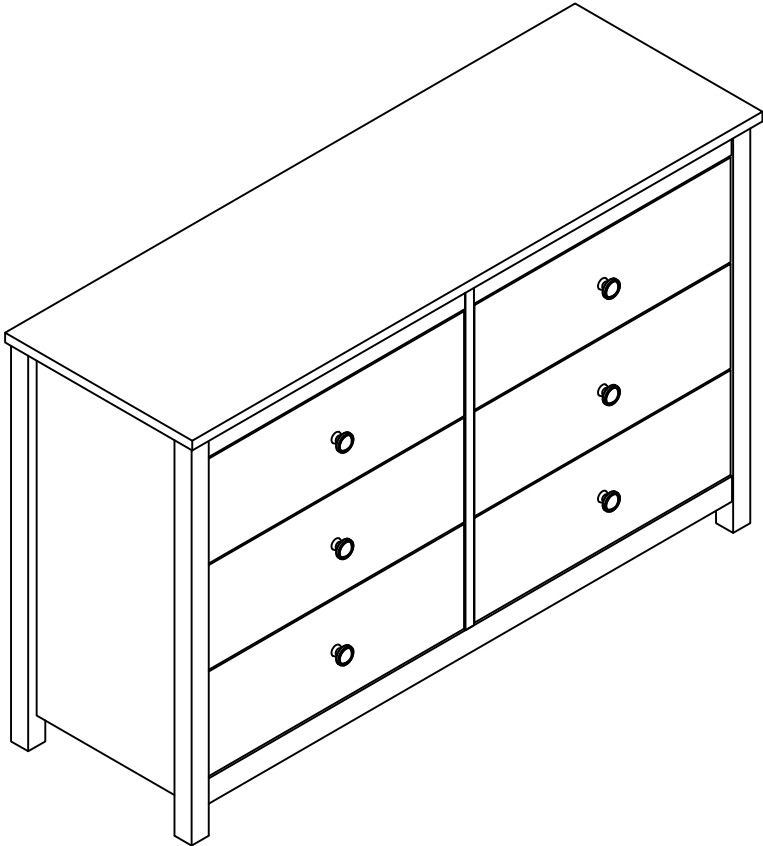


Assembly Instructions

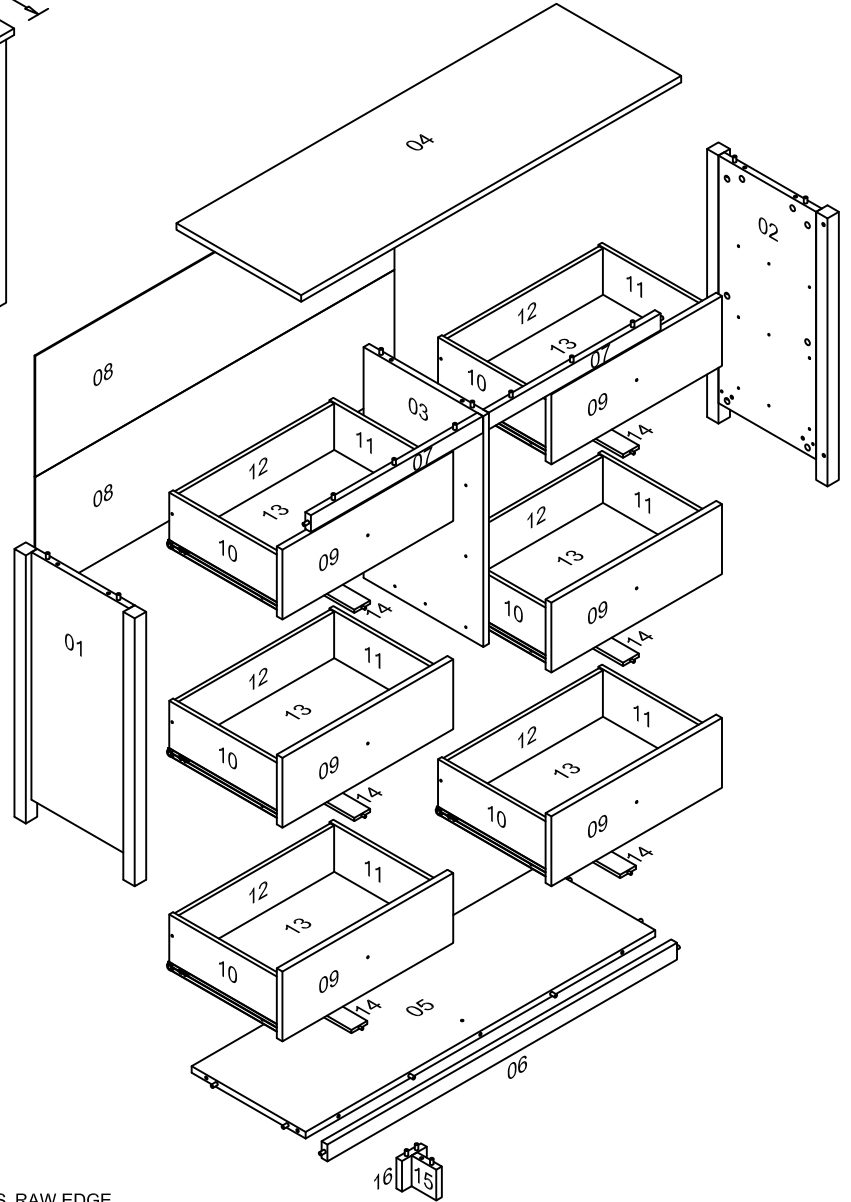
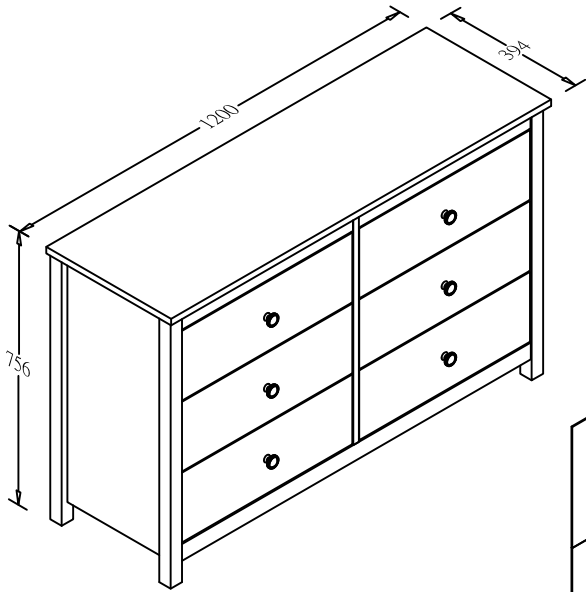
Shangri-LA Chest of 6 Drawers-Brighton Collection



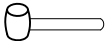
HERE'S HOW

Shangri-LA Chest of 6 Drawers-Brighton Collection

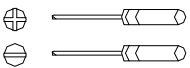
SOME STEPS MAY REQUIRE TWO PEOPLE.

TOOLS REQUIRED



WOODEN HAMMER



CHECK YOUR COMPONENTS



DENOTES RAW EDGE OR SURFACES



001C

X 14



002C

X 26



003C

X 12



004C

X 12
4x32mm



005C

X 6



006C

X 6



007C

X 3
5.5x45mm



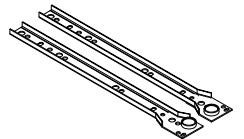
008C

X 2



009C

X 36
5.6x9mm



010C

X 6

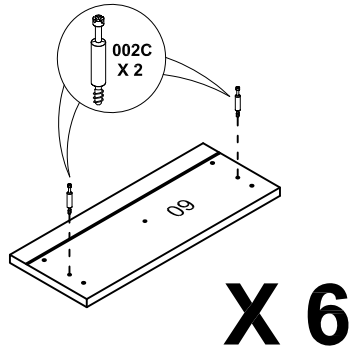
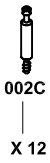


011C

X 40

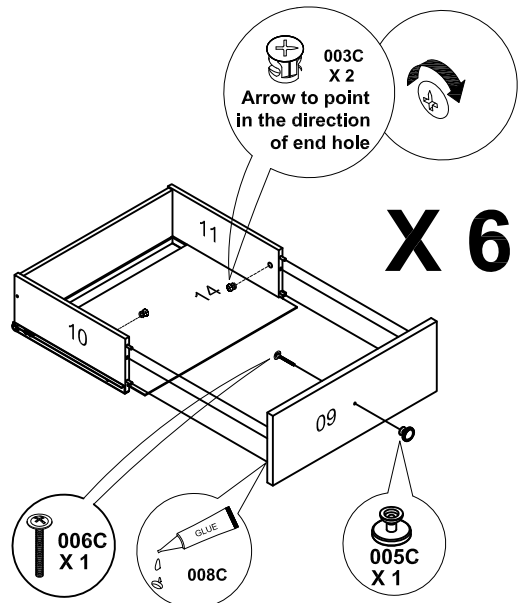
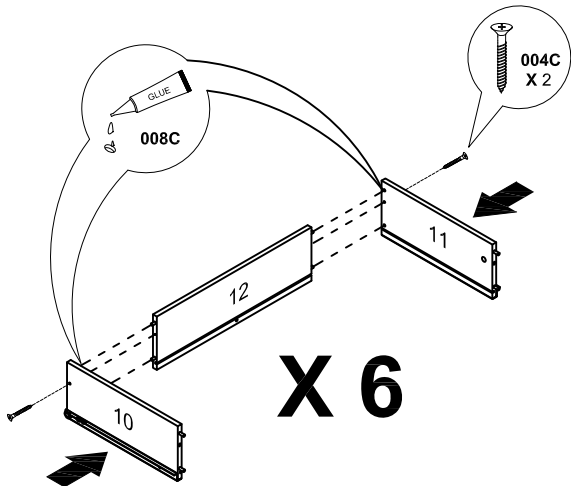
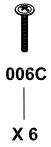
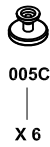
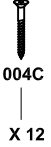
STEP 1

Will require these parts:



STEP 2

Will require these parts:



STEP 3

Will require these parts:



010C

X 3



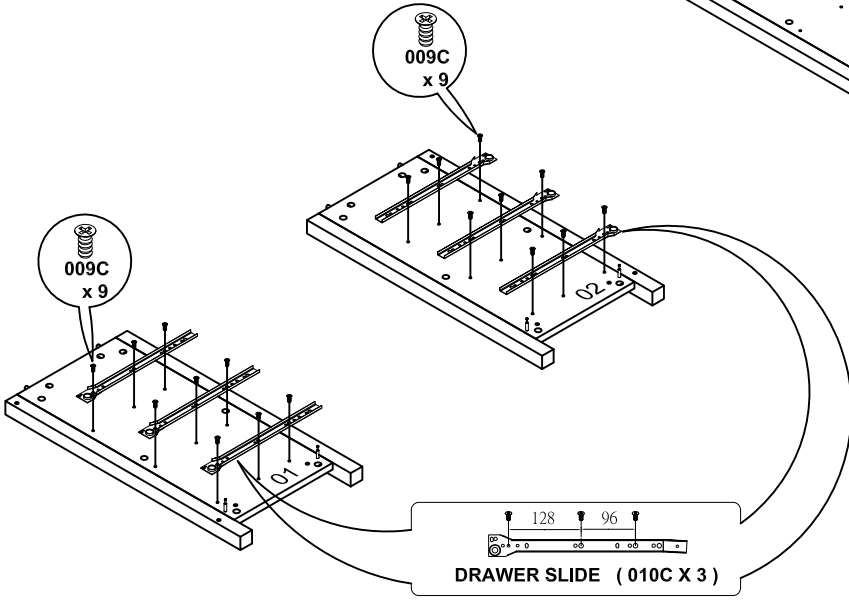
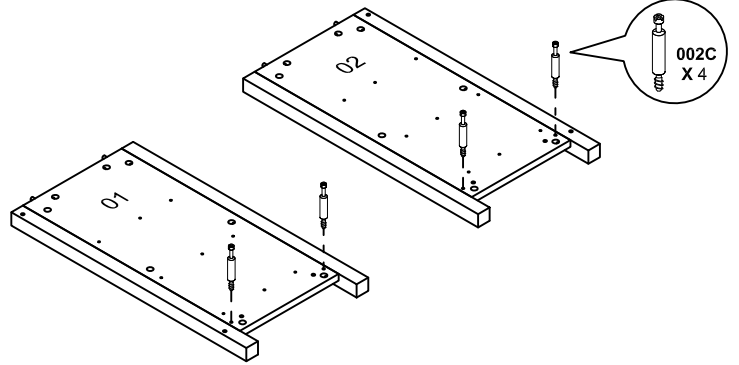
009C

X 18



002C

X 4



STEP 4

Will require these parts:



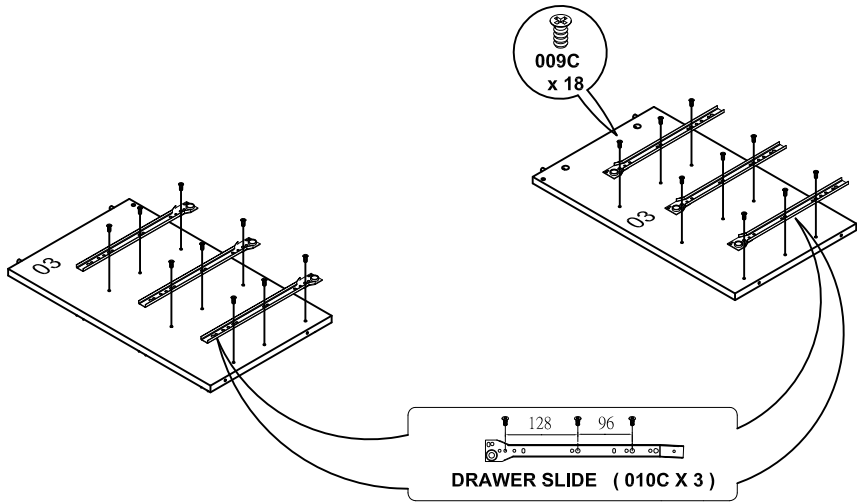
010C

X 3



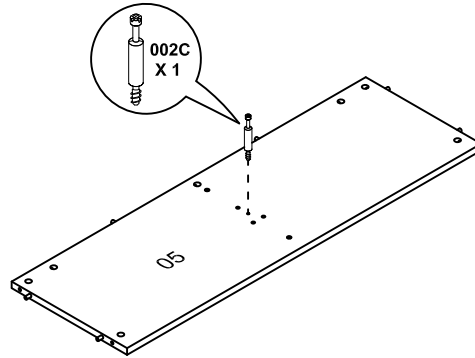
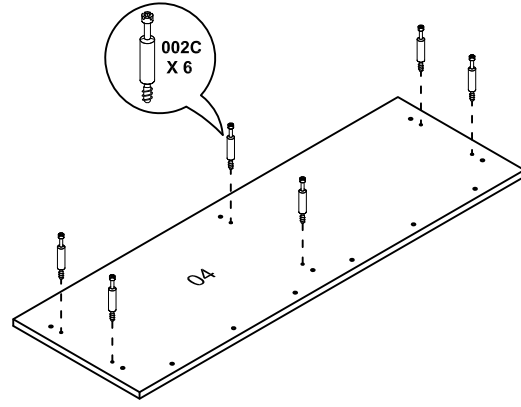
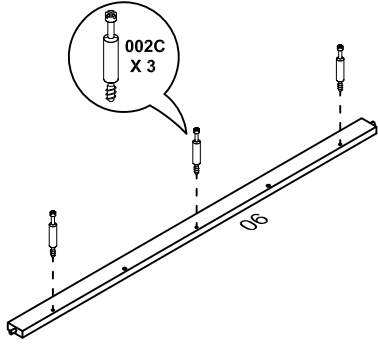
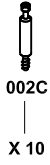
009C

X 18



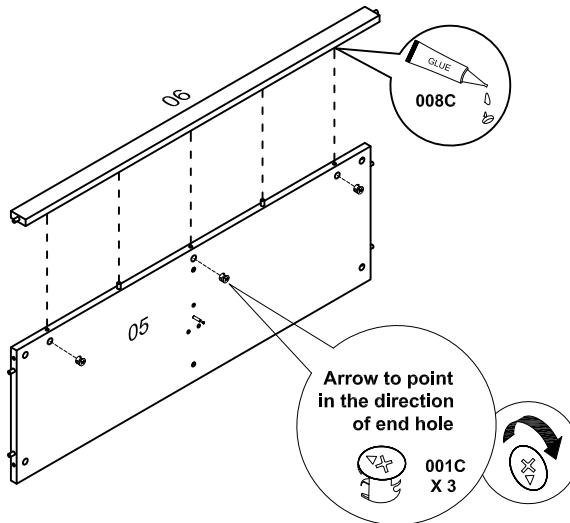
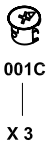
STEP 5

Will require these parts:



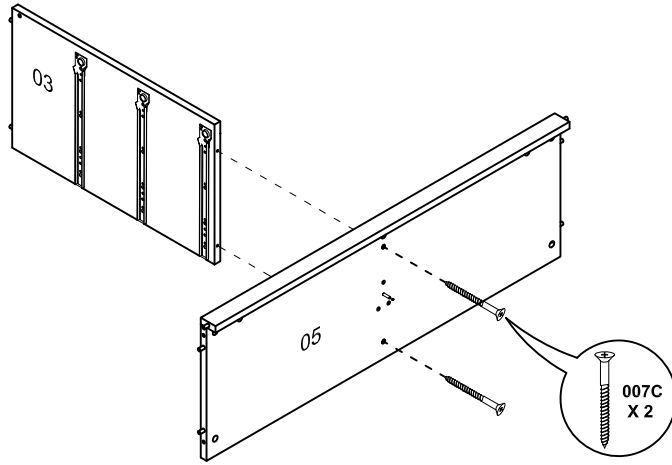
STEP 6

Will require these parts:



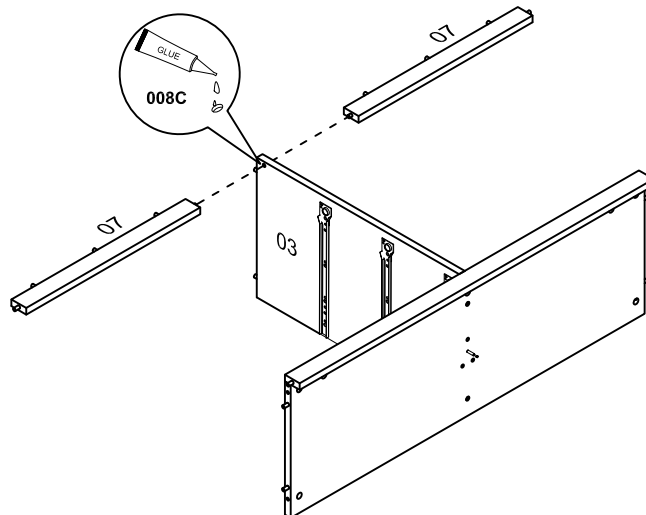
STEP 7

Will require these parts:



STEP 8

Will require these parts:



STEP 9

Will require these parts:

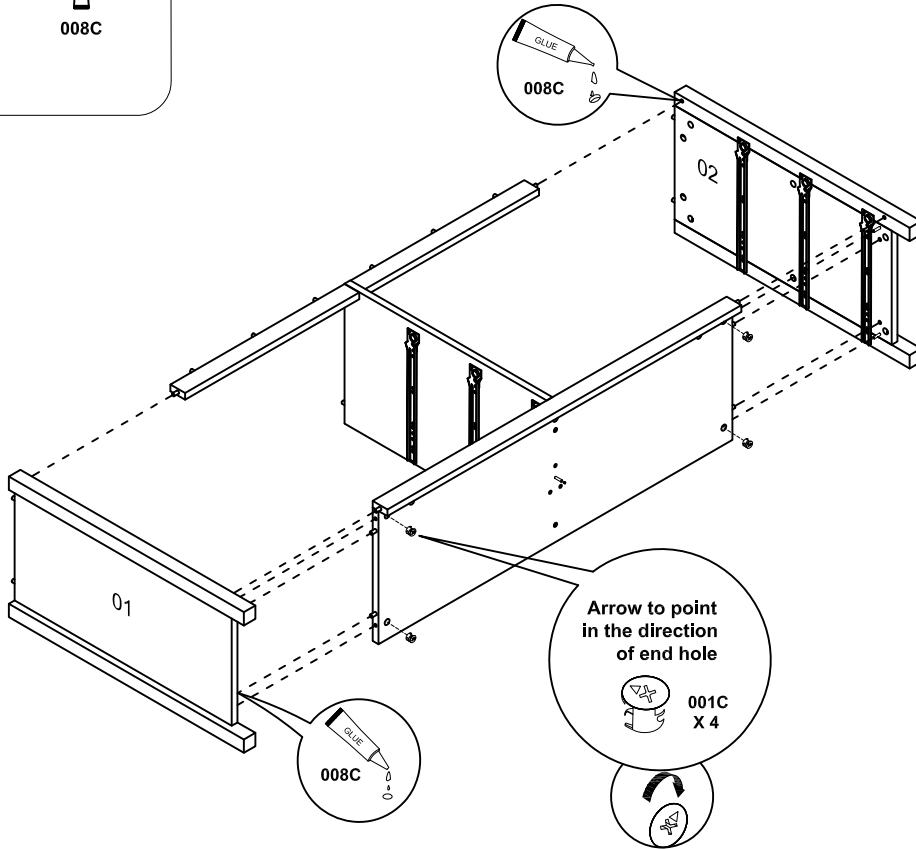


001C

X 4



008C



STEP 10

Will require these parts:



008C



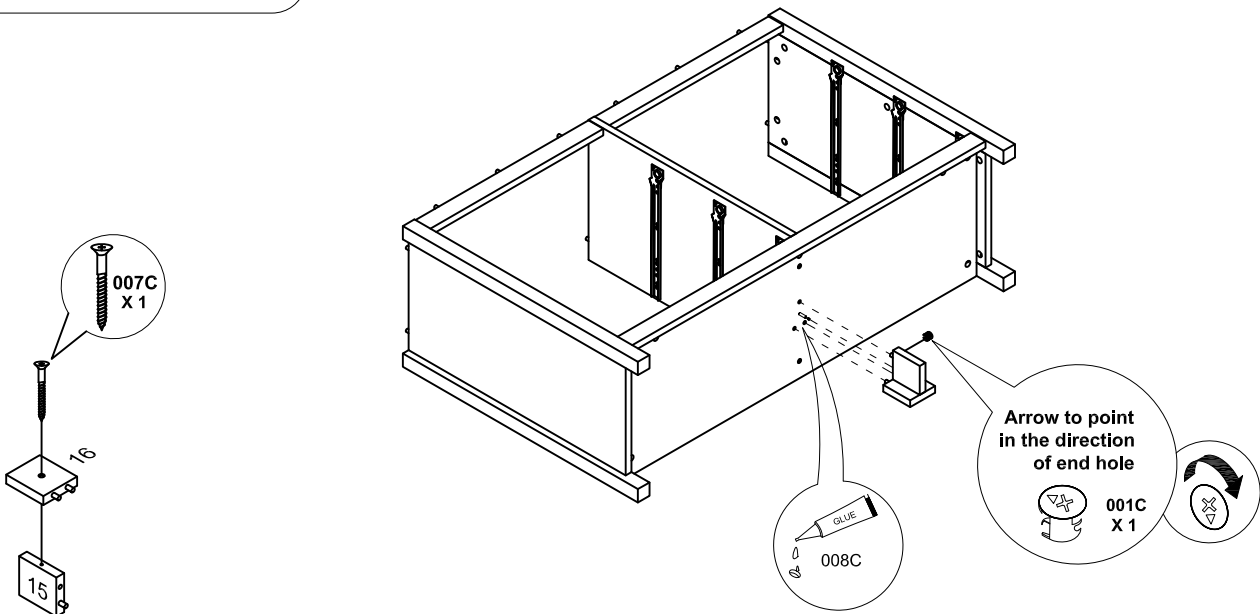
001C

X 1



007C

X 1



STEP 11

Will require these parts:

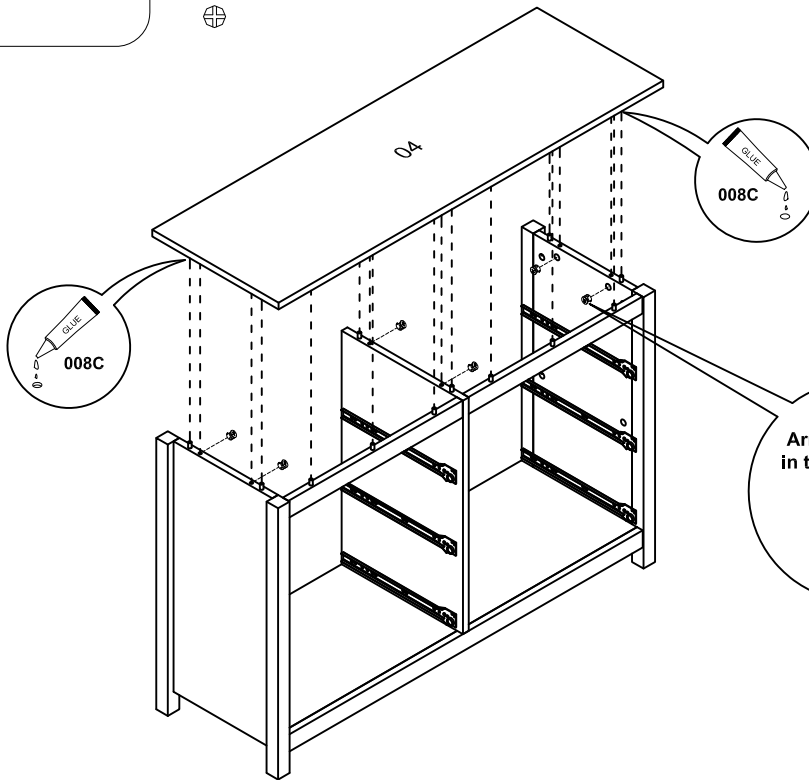


001C

X 6



008C



Arrow to point
in the direction
of end hole



001C
X 6

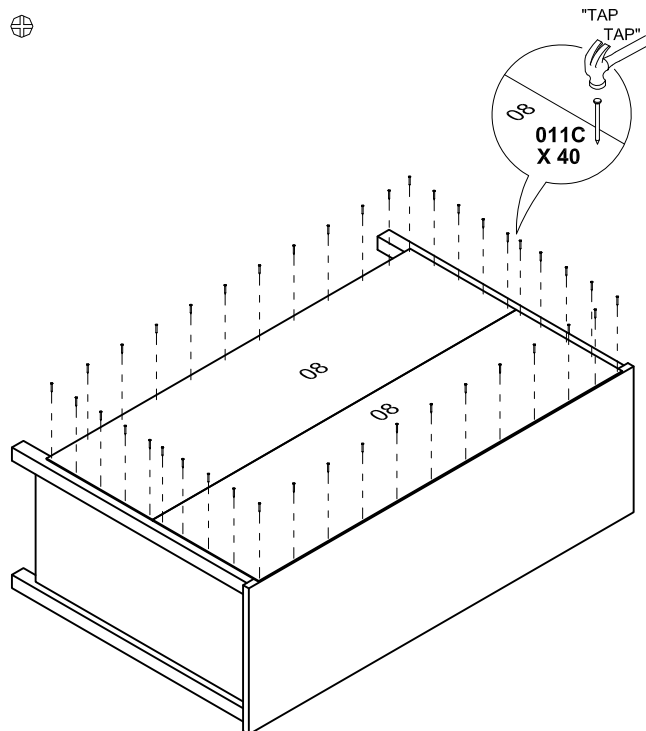
STEP 12

Will require these parts:



011C

X 40



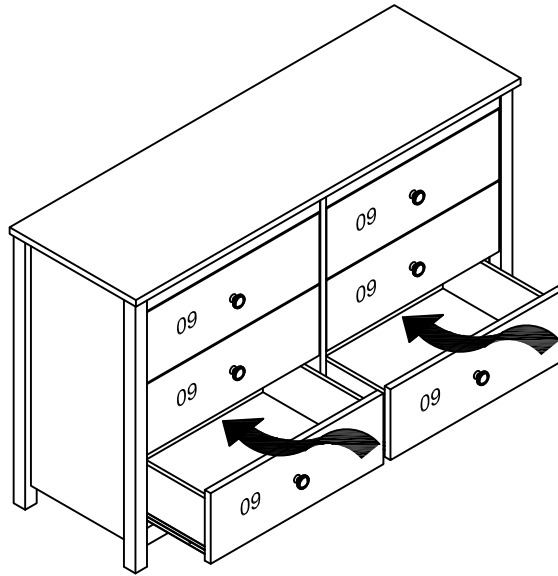
"TAP
TAP"

011C
X 40

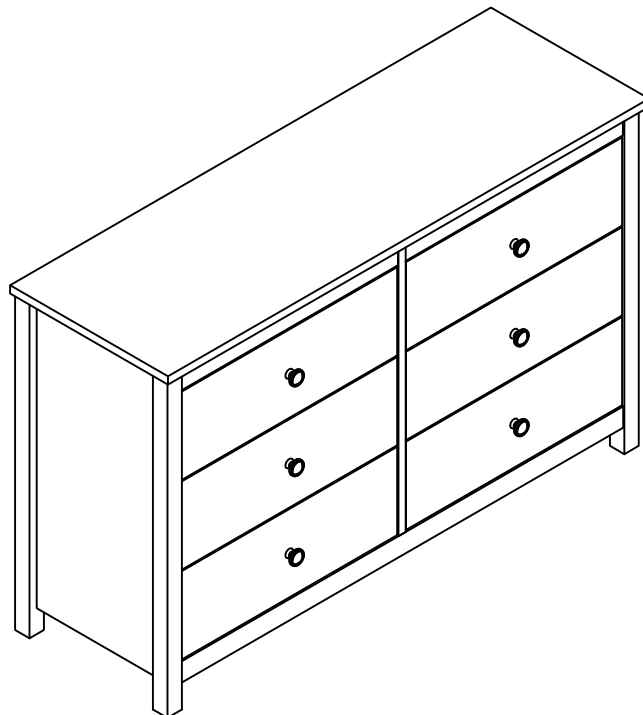


Stand up

STEP 13



STEP 14



The job is now complete!

**In the Interest of our environment
please dispose of all packaging thoughtfully.**