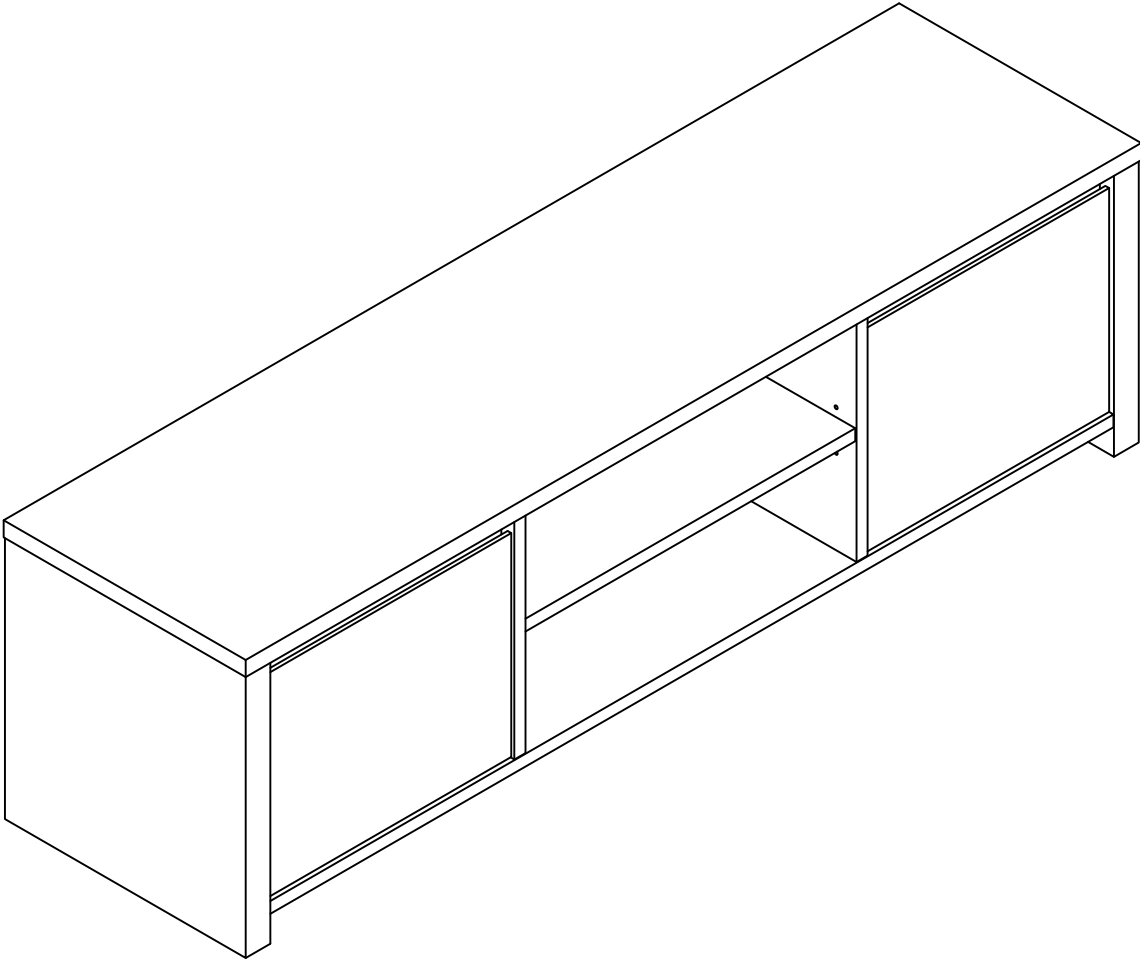


Assembly Instructions

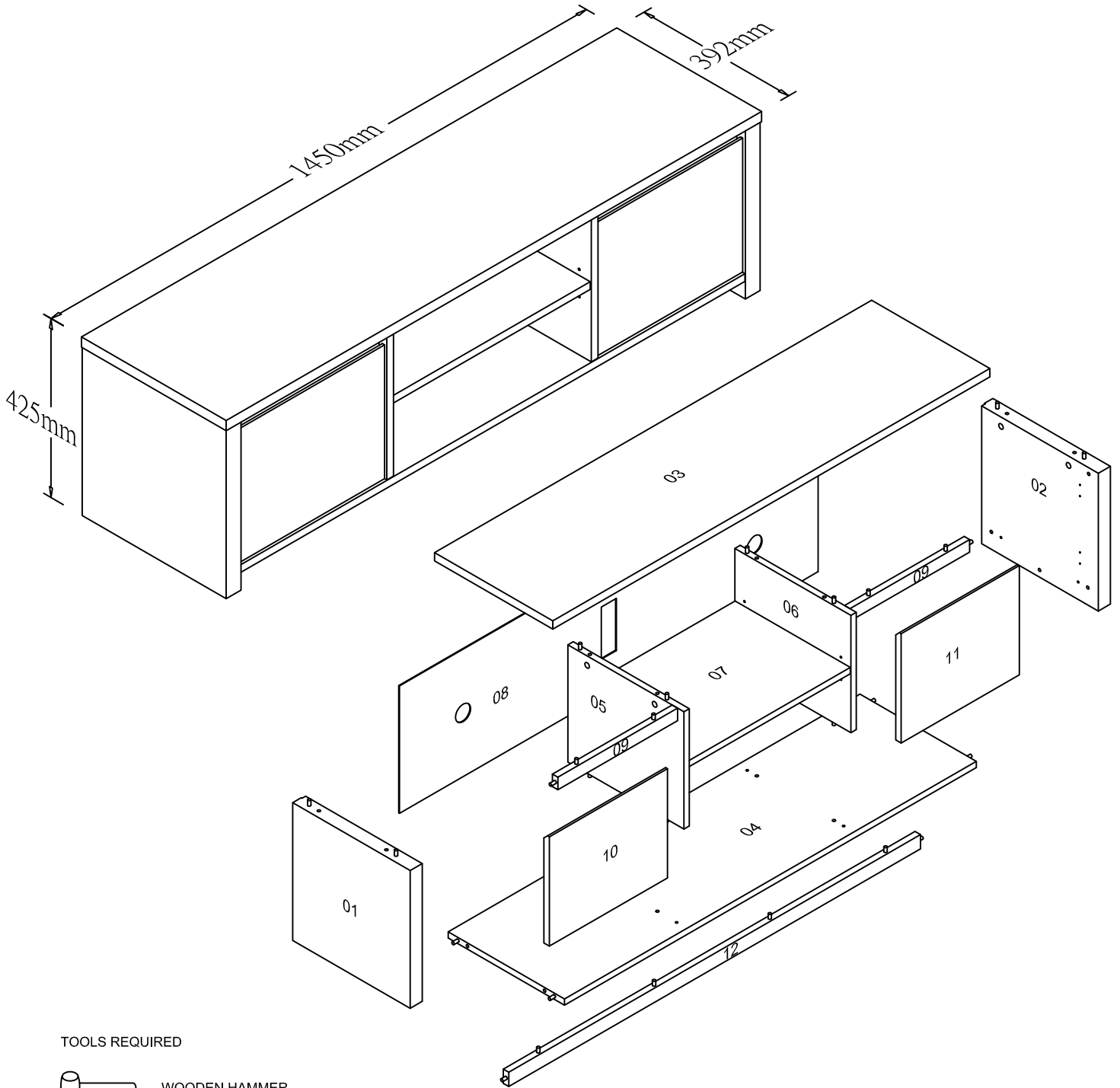
Shangri-La TV Entertainment Unit - Alta Collection



HERE'S HOW





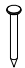




Shangri-La TV Entertainment Unit - Alta Collection

SOME STEPS MAY REQUIRE TWO PEOPLE.

TOOLS REQUIRED

-  WOODEN HAMMER
-  CHECK YOUR COMPONENTS
-  DENOTES RAW EDGE OR SURFACES

- | | | | | | | | | |
|--|---|---|---|---|---|---|---|---|
|  |  |  |  |  |  |  |  |  |
| 001C | 002C | 003C | 004C | 005C | 006C | 007C | 008C | 009C |
| X 12 | X 12 | X 4 | X 16 | X 36 | X 4 | X 4 | X 4 | X 8 |
| | | | 4x15mm | | 5.5x45mm | 3.4x10mm | | PVC Stickers |

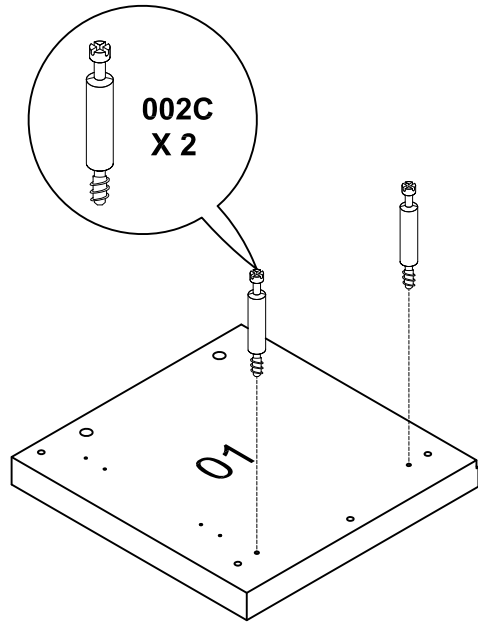
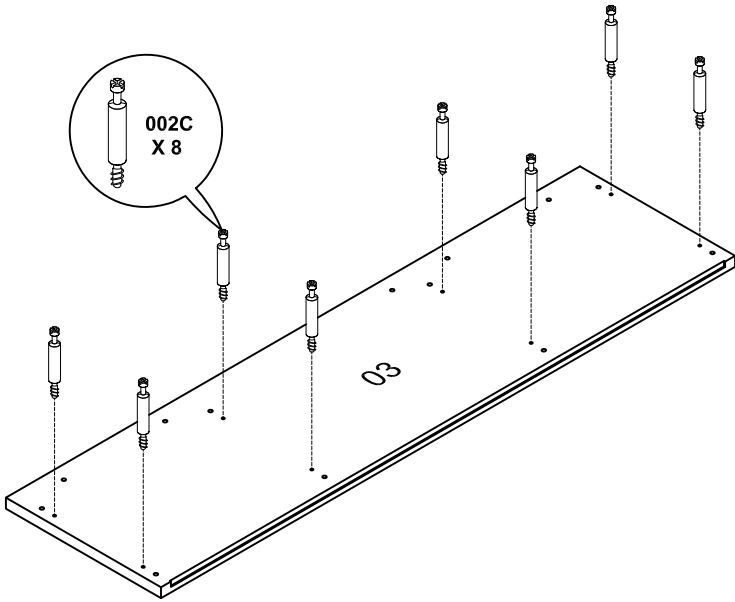
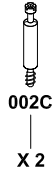
STEP 1

Will require these parts:



STEP 2

Will require these parts:

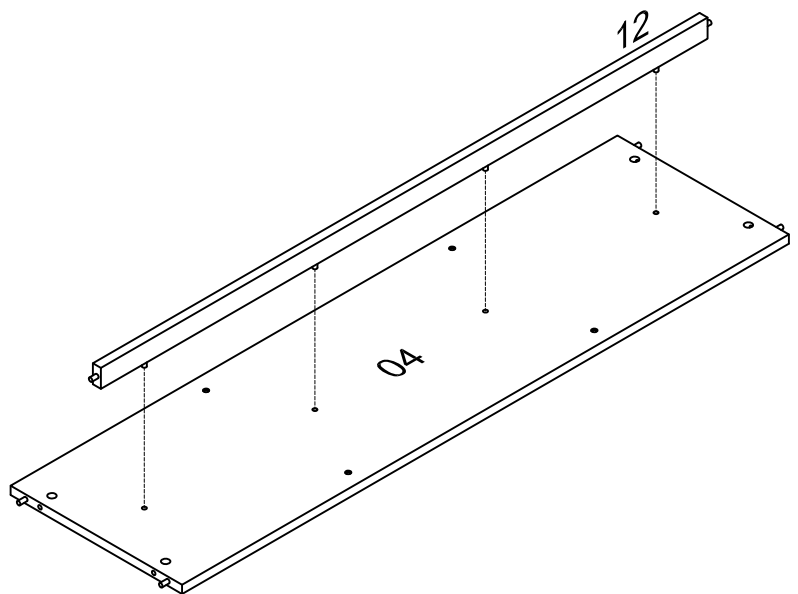
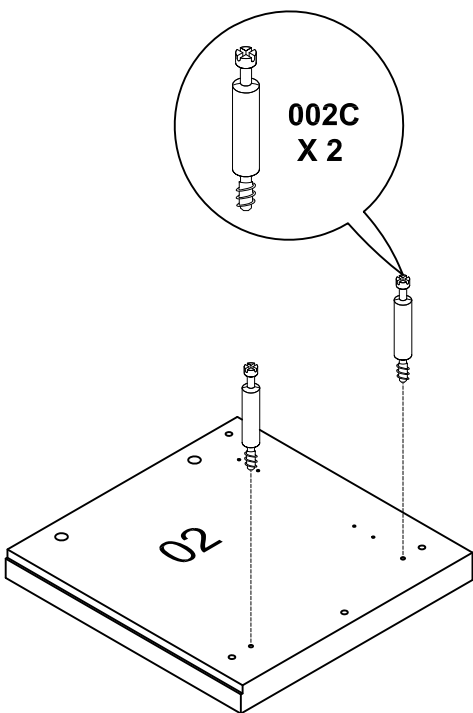


STEP 3

Will require these parts:

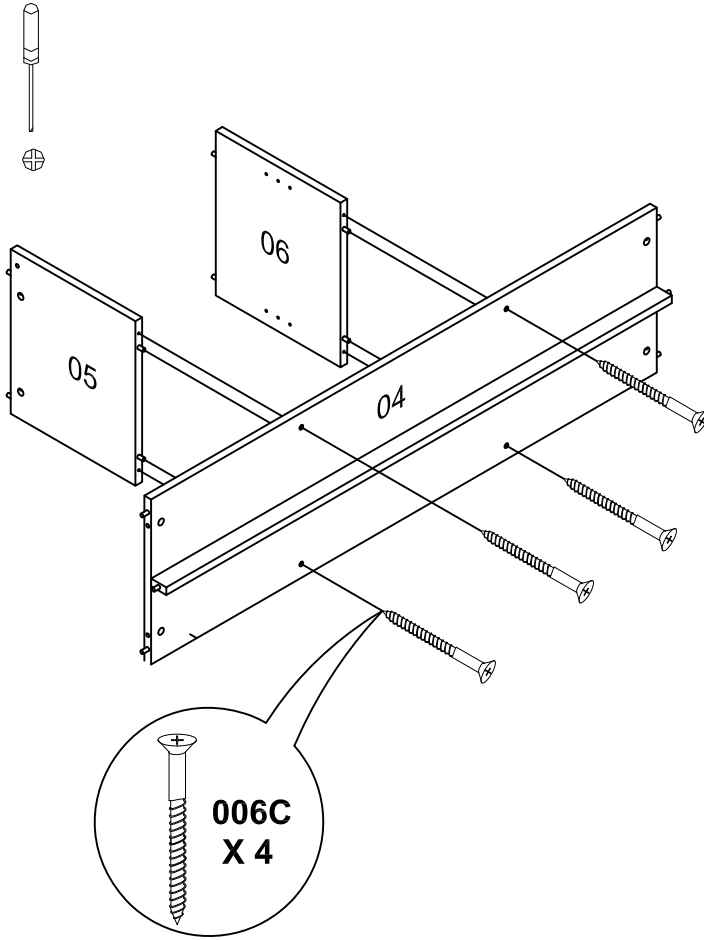


STEP 4

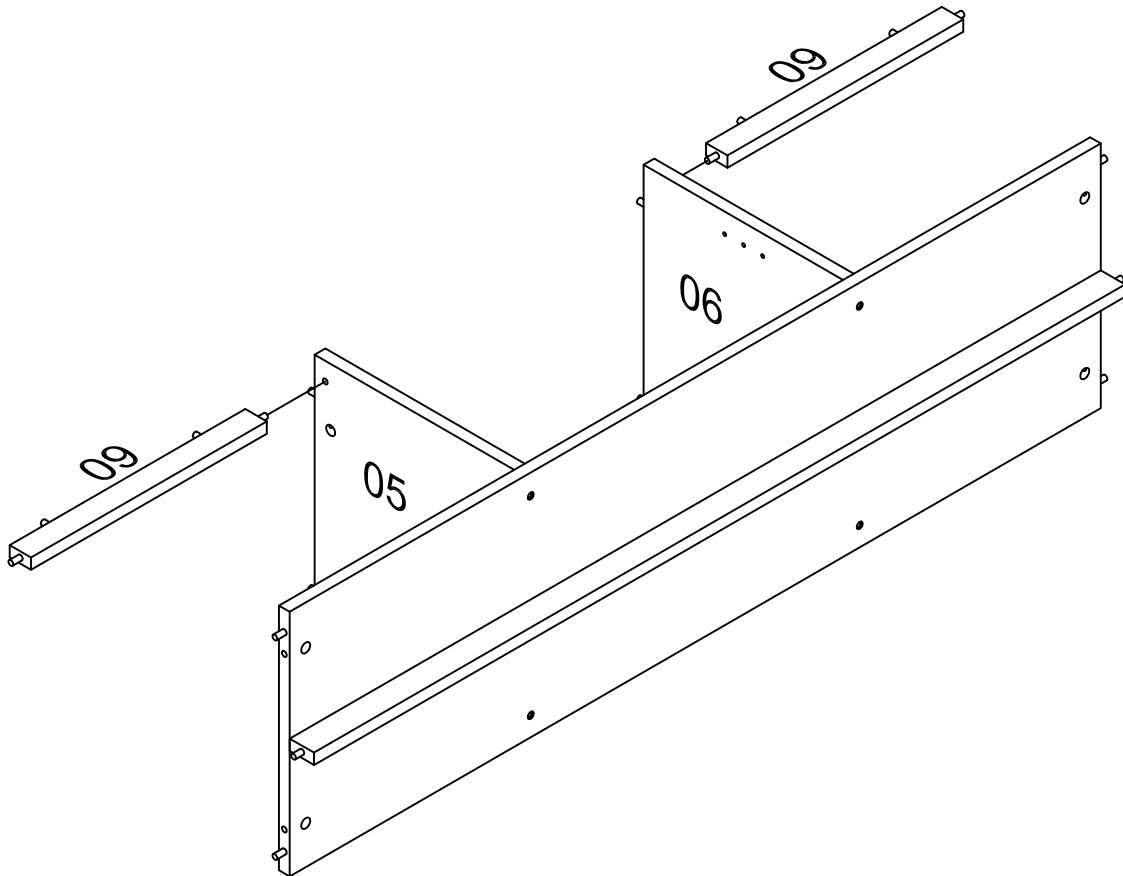


STEP 5

Will require these parts:



STEP 6



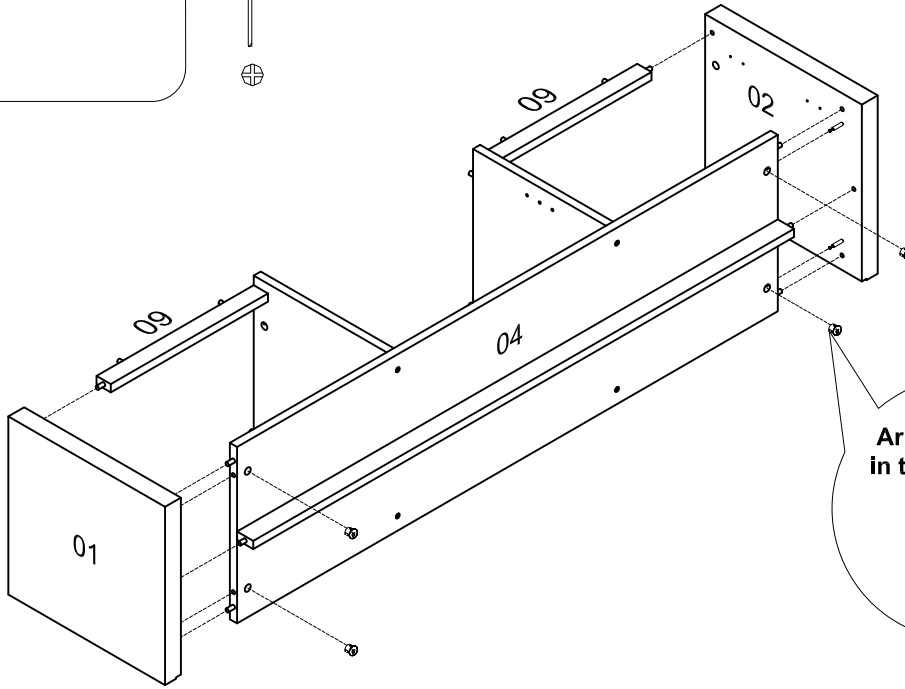
STEP 7

Will require these parts:



001C

X 4



Arrow to point
in the direction
of end hole



001C
X 4



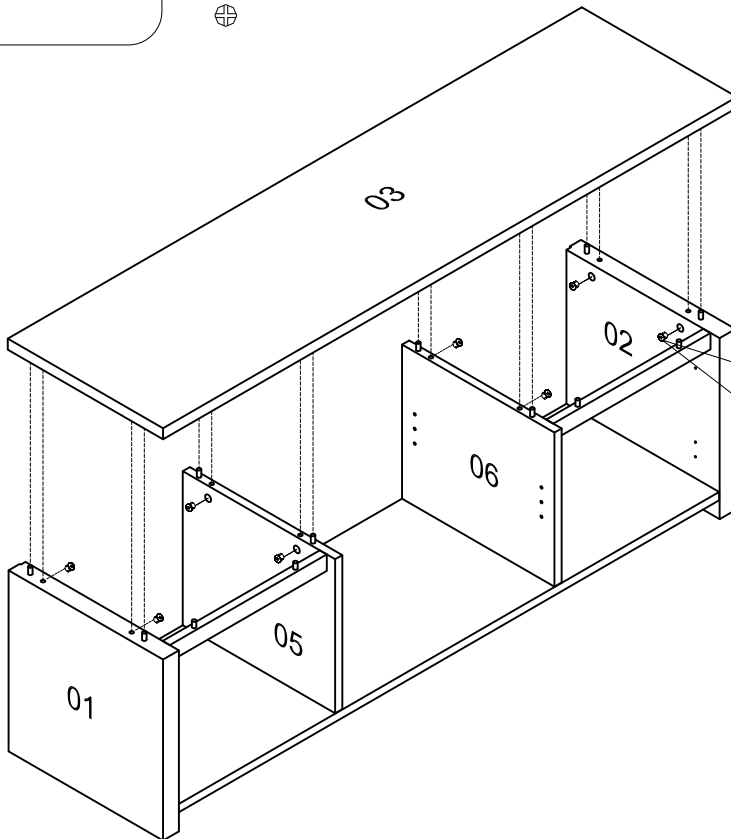
STEP 8

Will require these parts:



001C

X 8



Arrow to point
in the direction
of end hole

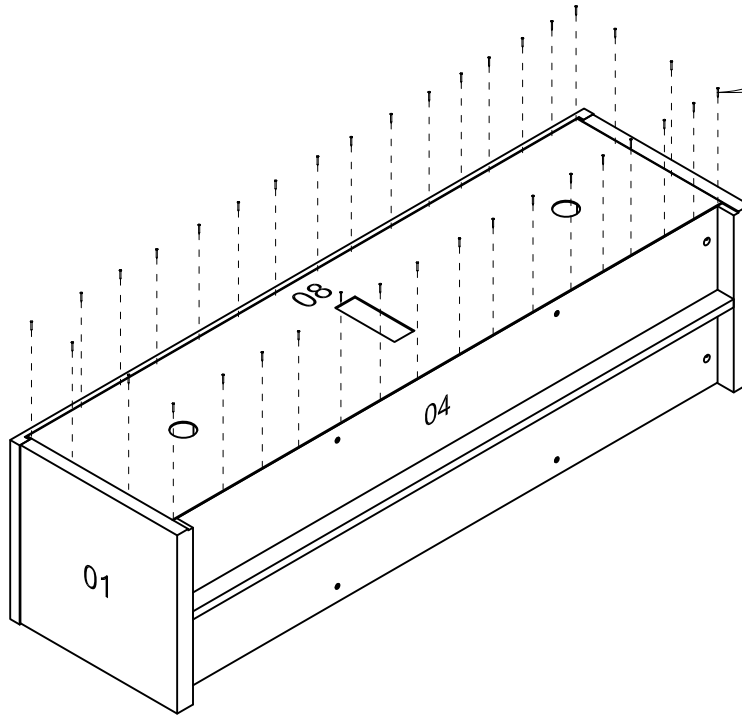
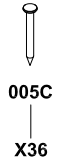


001C
X 8



STEP 9

Will require these parts:



STEP 10

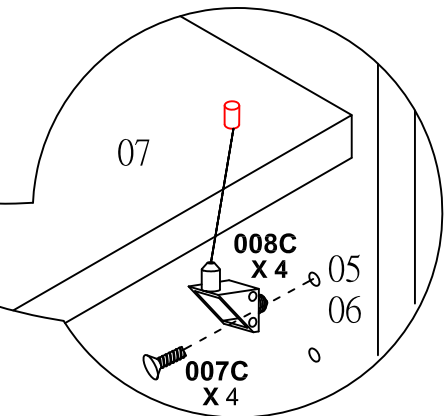
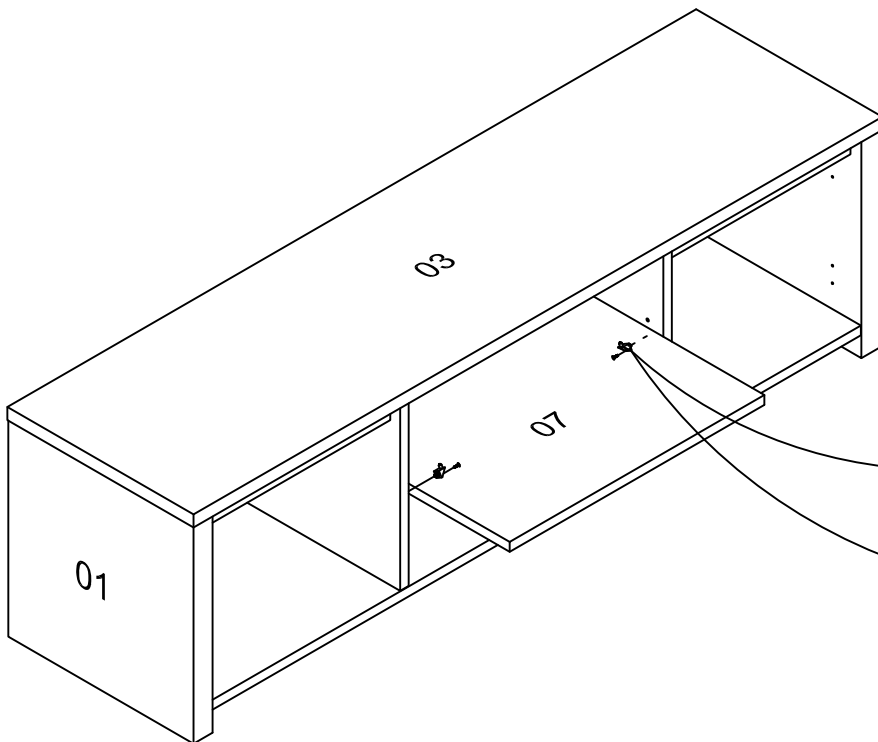
Will require these parts:



008C
X 4



007C
X 4



STEP 11 Will require these parts:



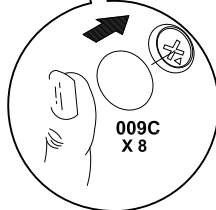
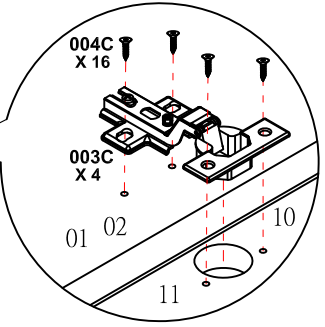
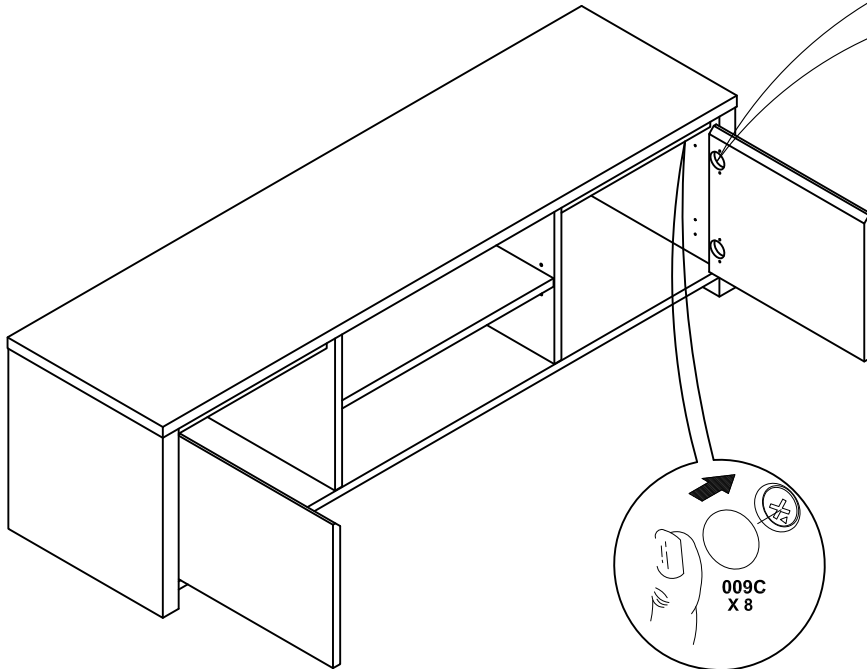
003C
X 4



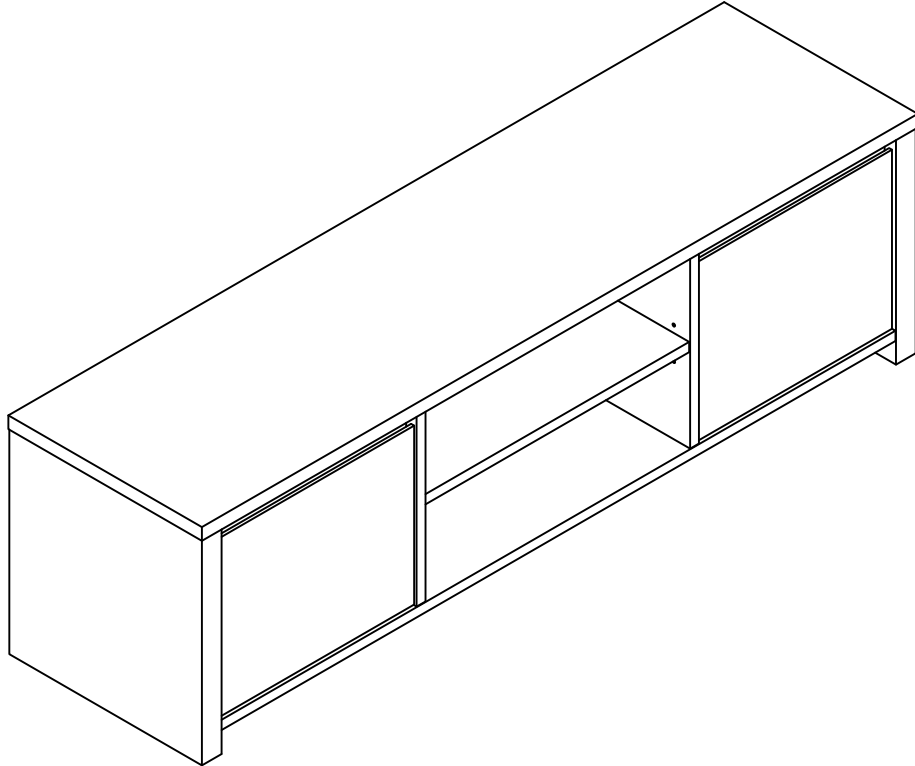
004C
X 16



009C
X 8



STEP 12



The job is now complete!

In the interest of our environment
please dispose of all packaging thoughtfully.