

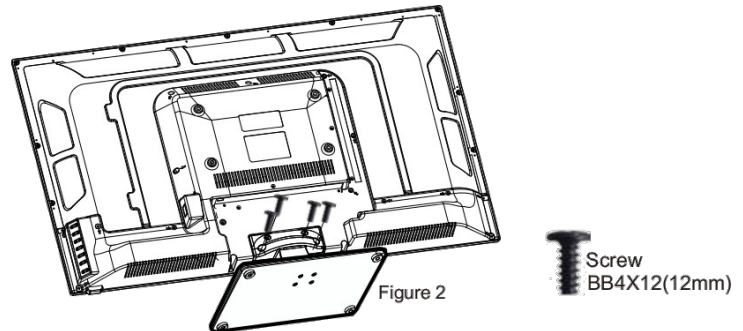
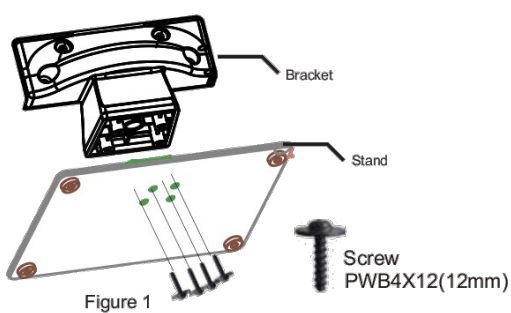
kugan

32" LED TV (HD) with DVD Combo KALED32DVDZD Quick Start Guide

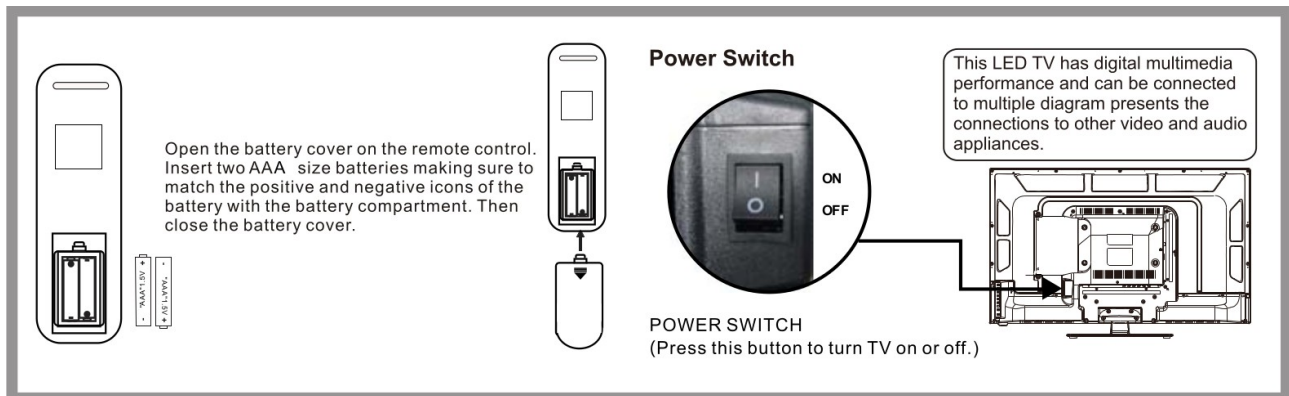
Assembly Instruction

Note: Please place the TV screen face down on a SOFT surface such as a blanket or towelling to avoid scratching the screen. Use the recommended screw size for installation of wall mounts to avoid damaging the television.

1. Fix the bracket and the stand with the screws as shown in Figure 1.
2. Put the television on the table, fix the stand and the unit with screws as shown in Figure 2.



To disconnect the stand from the TV, simply perform the above steps in reverse order.

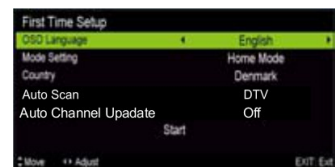


Auto Scan

The first time you power on the TV, the "First Time Setup" will be shown on the TV screen. Please follow the procedures below to do the first installation, including channel searching.

Press $\blacktriangle/\blacktriangledown$ to select the desired menu item.

- **OSD Language**
Press $\blacktriangle/\blacktriangleright$ to select the language to be used in menus and messages.
- **Mode Setting**
Press $\blacktriangle/\blacktriangleright$ to select mode.
- **Country**
Press $\blacktriangle/\blacktriangleright$ to select the country you are currently in.
- **Auto Scan**
Press $\blacktriangle/\blacktriangleright$ to select the mode: DTV+ATV, DTV, ATV
- **Auto Channel Update**
Press $\blacktriangle/\blacktriangleright$ to update the channel.



Auto Tuning Status

When first tuning digital TV, press the MENU button to skip digital tuning. When tuning analogue, press MENU to skip the analogue tuning.

INPUT Display

Press INPUT to display the source list.
Use the ▲/▼ buttons to select the input source, then press ► or ENTER to confirm the input selection choice.

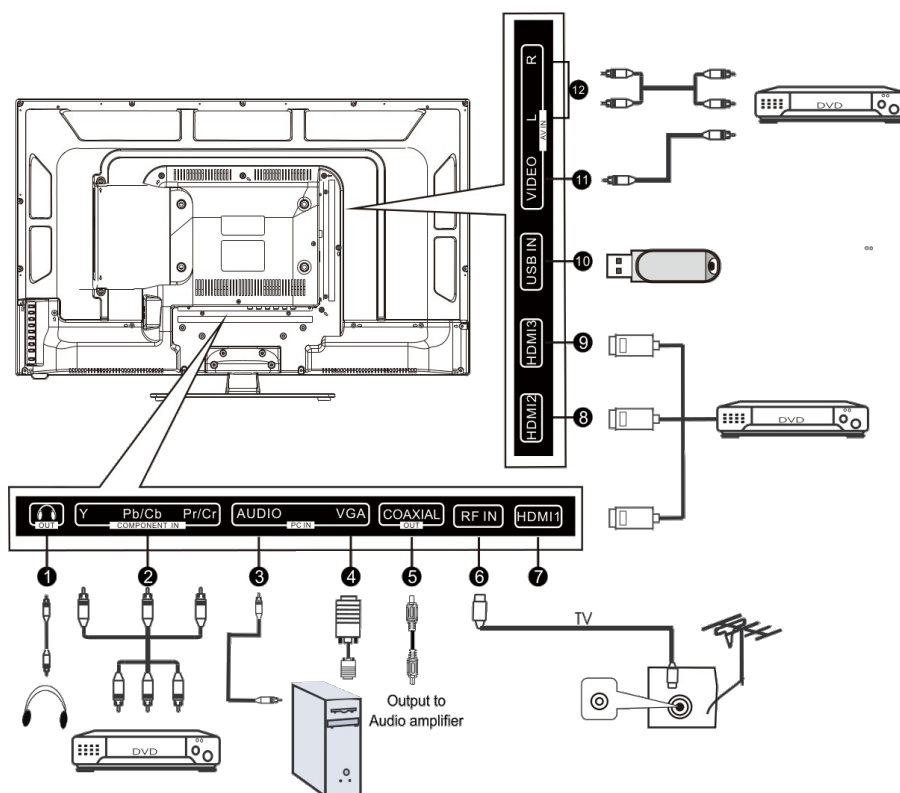


INPUT

The INPUT button is at the top right corner of the remote control.



Connections



1. **Headphone:** connect to your headphones or other amplification equipment.
2. **YPbPr:** connect to your YPbPr video output terminal on your VCR or DVD player.
3. **Audio:** Connect to the audio output terminal of your PC.
4. **VGA:** For PC display. Connect to a D-Sub 15 pin analog output connector.
5. **Coaxial:** Digital coaxial audio output.
6. **RF IN:** Connect to your antenna cable.
7. **HDMI:** Connect to your DVD/BluRay/PVR equipment via HDMI cable.
8. **HDMI:** Connect to your DVD/BluRay/PVR equipment via HDMI cable.
9. **HDMI:** Connect to your DVD/BluRay/PVR equipment via HDMI cable.
10. **USB:** USB input for software updates, media files and PVR recordings.
11. **VIDEO:** Composite video connection.
12. **R/L:** Composite audio or component audio.

For full operation instructions, please refer to the full KALE32DVDZD user manual.