

kogan

Dual Glass Shelf Wall Bracket KAWLMDLSTND Quick Start Guide

CAUTION

Product contains small items that could be a choking hazard if swallowed. Keep these items away from young children.

- Make sure these instructions are read and completely understood before attempting installation. Please contact the Kogan.com customer support team or a professional installer for information.
- The wall or mounting surface must be capable of supporting the combined weight of the mount and the display.
- Safety gear and proper tools must be used. A minimum of two people are required for the installation. Failure to use safety gear may result in property damage, serious injury or even death.
- Please check the joints of the product every two months, ensuring that the screws are not loosened.

This product was designed to be installed on wood stud walls or solid concrete walls. Before installing, make sure that the wall will support the combined weight of the equipment and hardware.

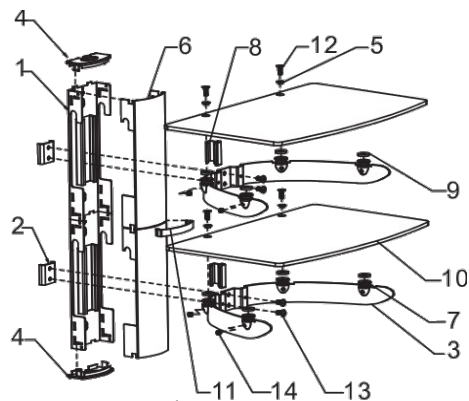
Never exceed the maximum load capacity of 5kg, or it may result in product failure or personal injury.

This product is intended for indoor use only. Use of this product outdoors can lead to product failure or personal injury.

Parts List

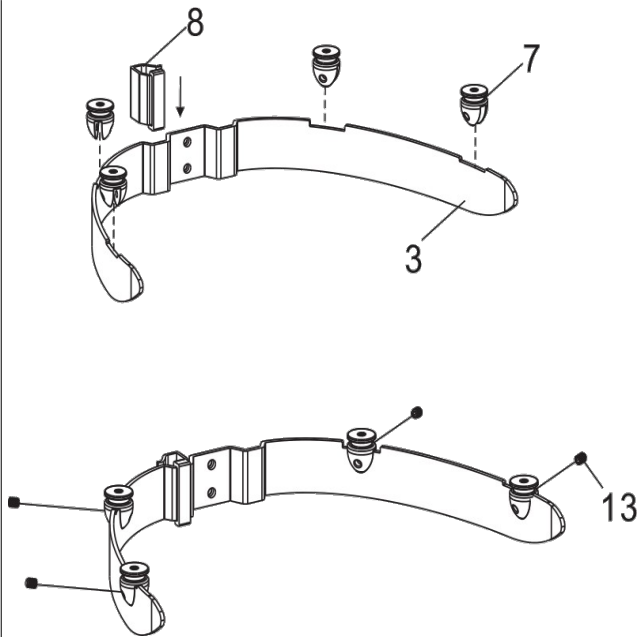
- 1- (Wall bracket 2PCS)
- 2- (Locking sheet 2PCS)
- 3- (Shelf bracket 2PCS)
- 4- (Plastic cover 2PCS)
- 5- (Rubber washer 4PCS)
- 6- (Plate cover 2PCS)
- 7- (Plastic pad 8PCS)
- 8- (Cable buckle 2PCS)
- 9- (Washer 8PCS)
- 10- (Shelf glass 2PCS)
- 11- (Middle cover 1PCS)
- 12- (Cross head bolt 4PCS)

- 13- (M5X10mm bolt 4PCS)
- 14- (M5X6mm bolt 8PCS)
- 15 (4PCS)
- 16 (4PCS)
- 17 (4PCS)

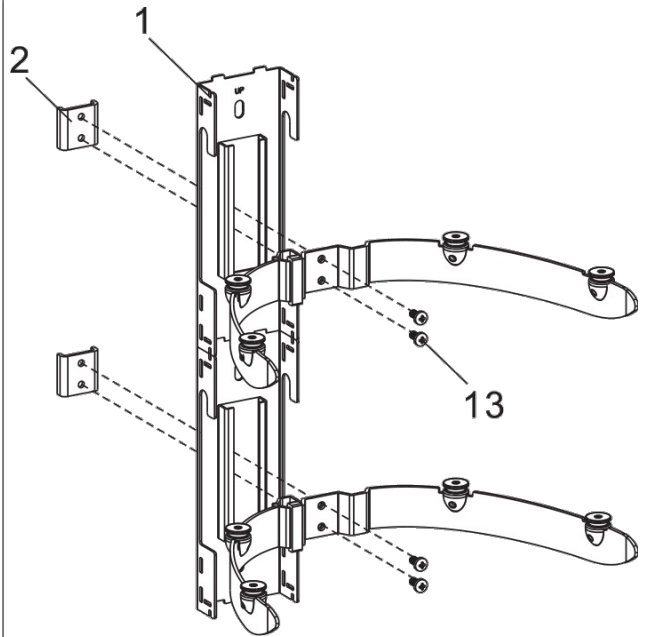


Assembly

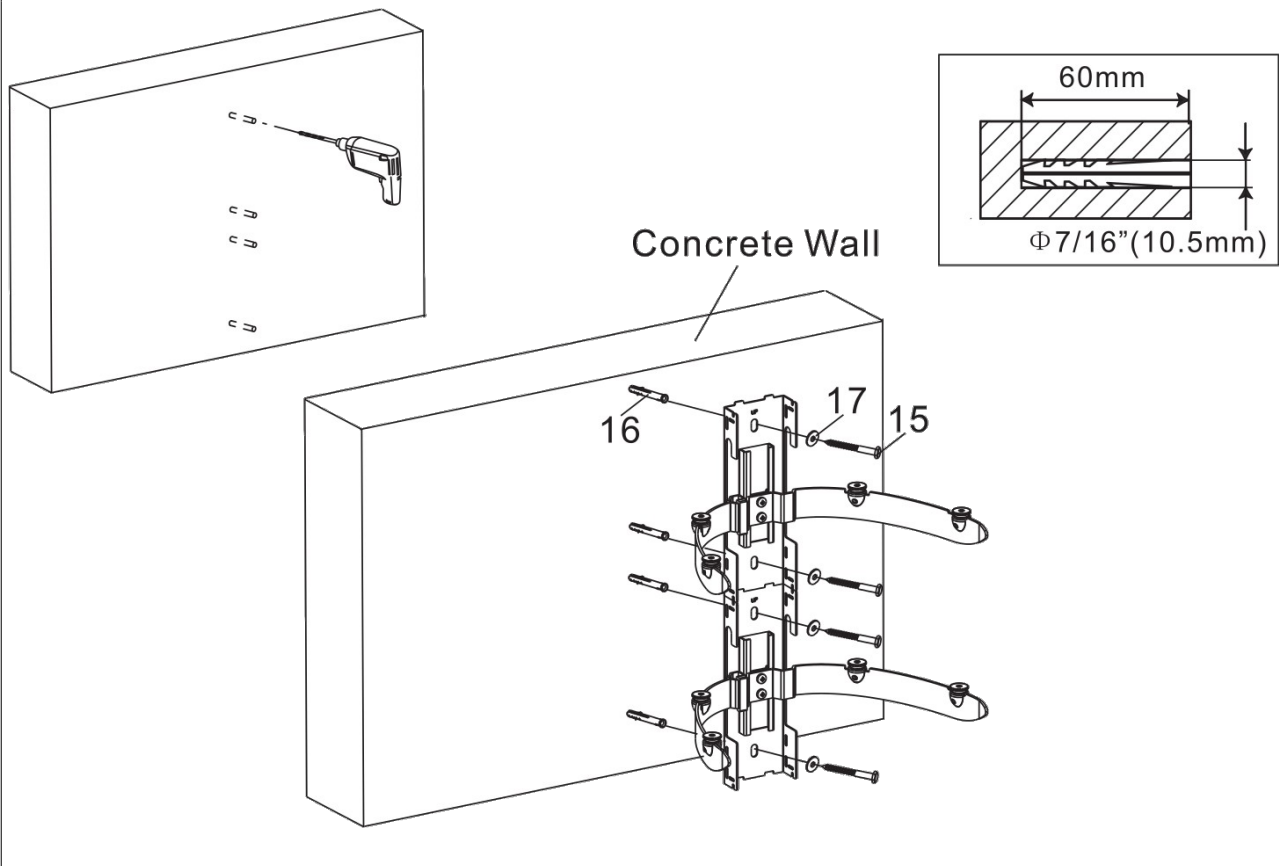
Step 1



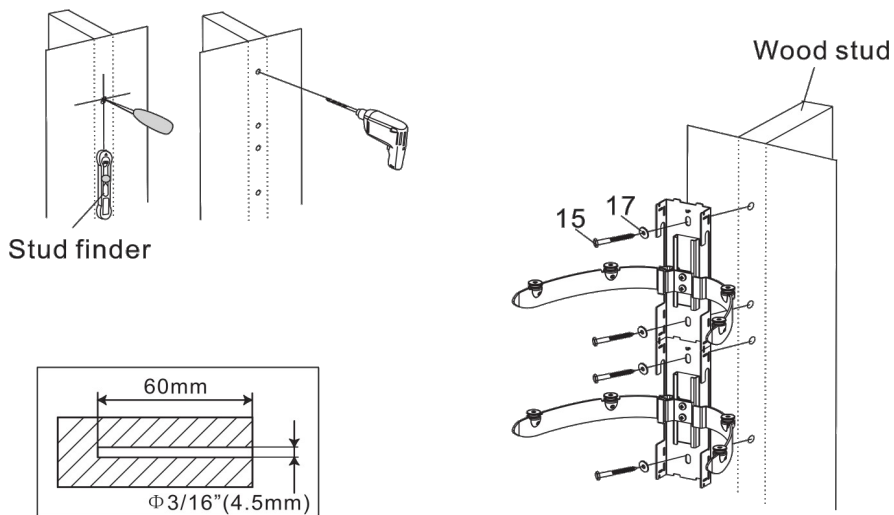
Step 2



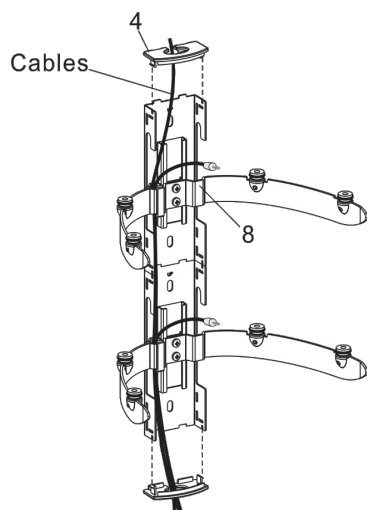
Step 3A - Solid Concrete Mounting



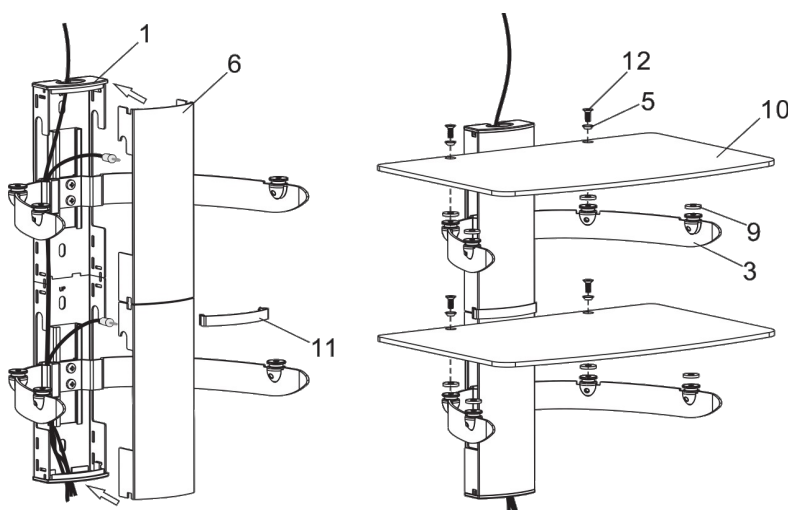
Step 3B - Wood Stud Mounting



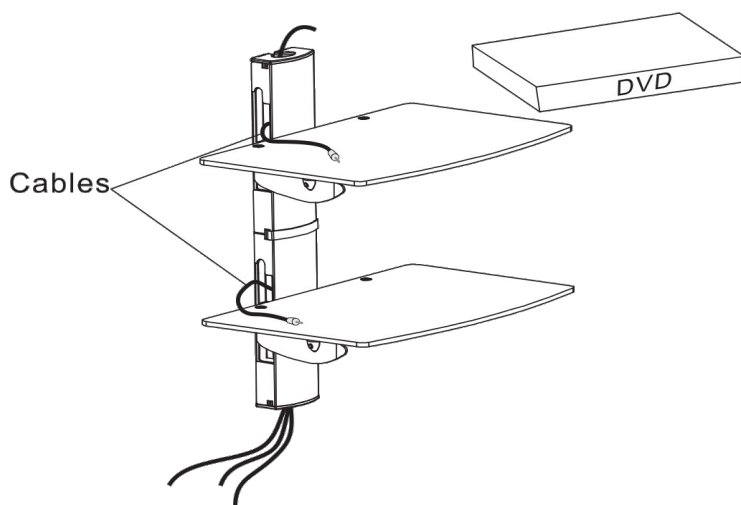
Step 4



Step 5



Step 6



If you have any questions or concerns regarding this product, please contact the Kogan.com customer support team.