

kogan

Soundbar Wall Mount KAWLMSBMNTA Quick Start Guide



Caution

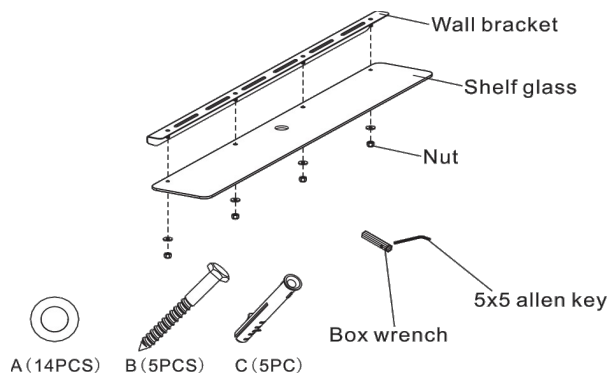
This product contains small parts that may be a choking hazard if swallowed. Keep all small parts away from young children.

- Make sure these instructions are read and understood before attempting installation. If you are unsure of any part of the installation, please contact the Kogan.com customer support team for further information.
- The wall or mounting surface must be capable of supporting the combined weight of the mount and the display unit, otherwise the structure must be reinforced. Kogan.com is not liable for any damage caused by structural integrity not being up to the task.
- Safety gear and proper tools must be used at all times. A minimum of two people are required to perform this installation. Failure to use safety gear can result in property damage, injury or even death.
- Please check joints and all moving parts every two months, making sure that the screws have not loosened over time.

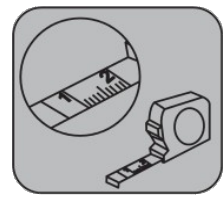
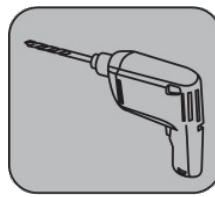
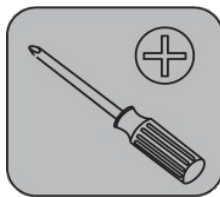
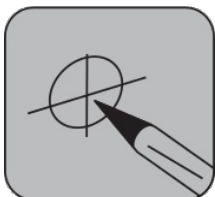
This product is designed to be installed on wood stud walls or solid concrete. Before installing, make sure that the wall will support the combined weight of the equipment and hardware. Never exceed the maximum load capacity of 5KG, as this can result in product failure or personal injury.

Note: this product is intended for indoor use only. Use of this product outdoors may result in product failure or personal injury.

Parts List

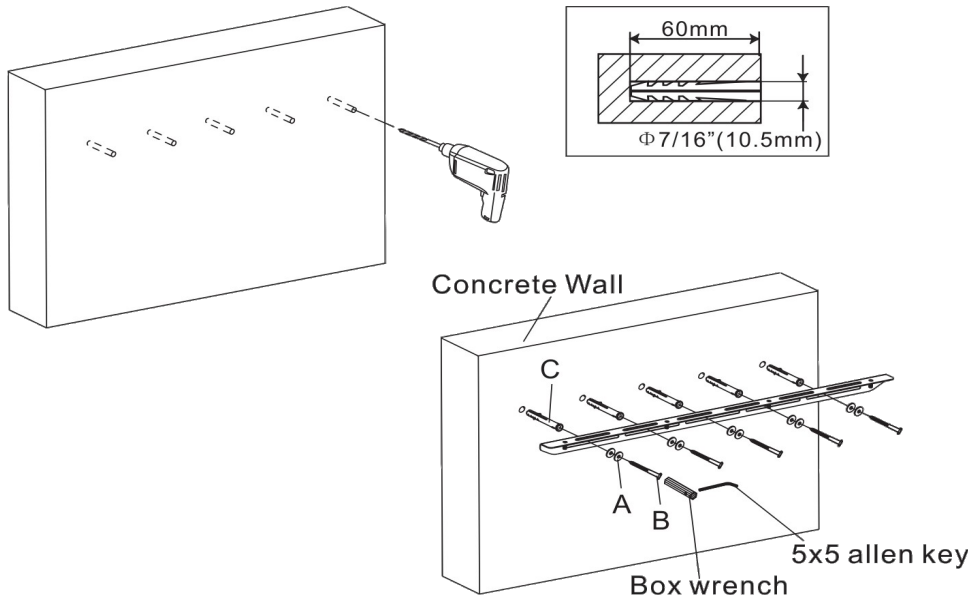


Tools Required

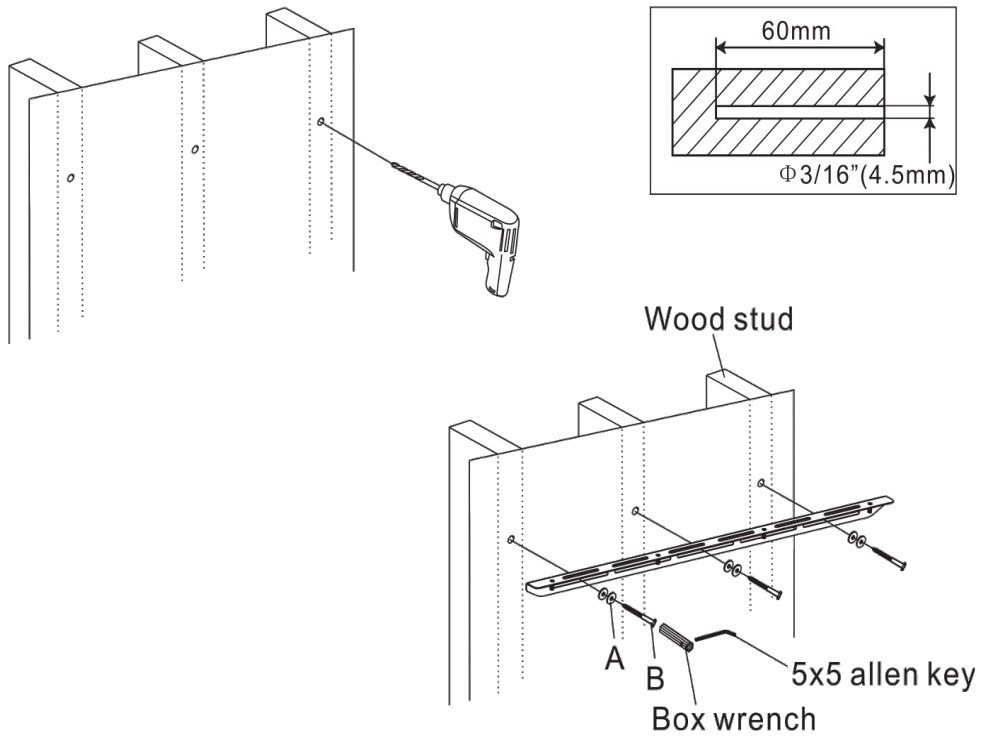


Assembly

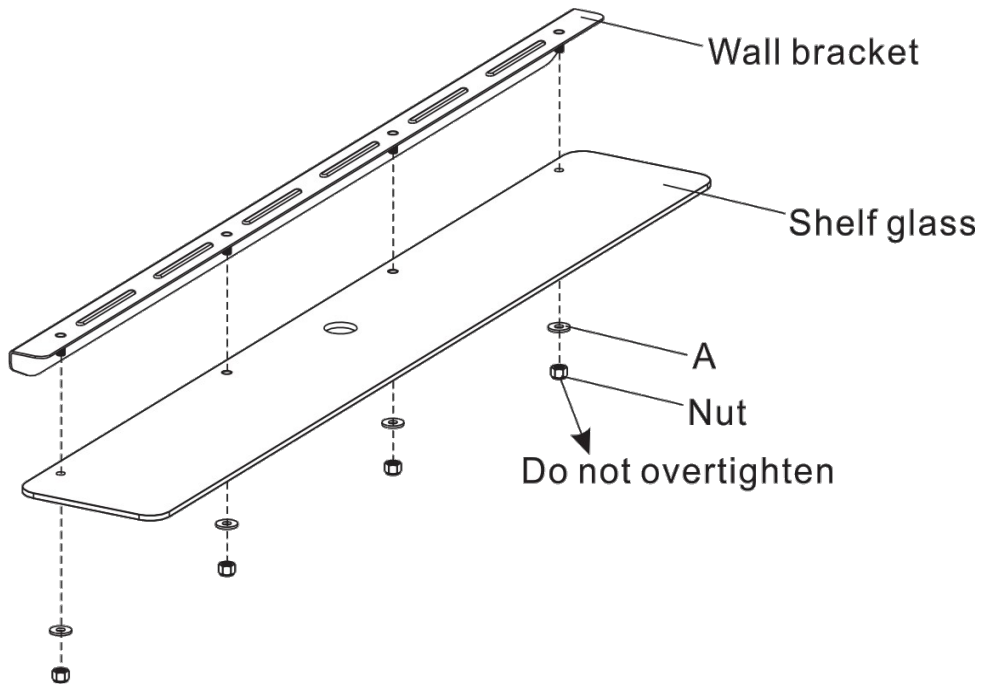
Step 1A - Solid Concrete Mounting



Step 1B - Wood Stud Mounting



Step 2



If you have any questions or concerns regarding the use of this product, please contact the Kogan.com customer support team.