

ovela

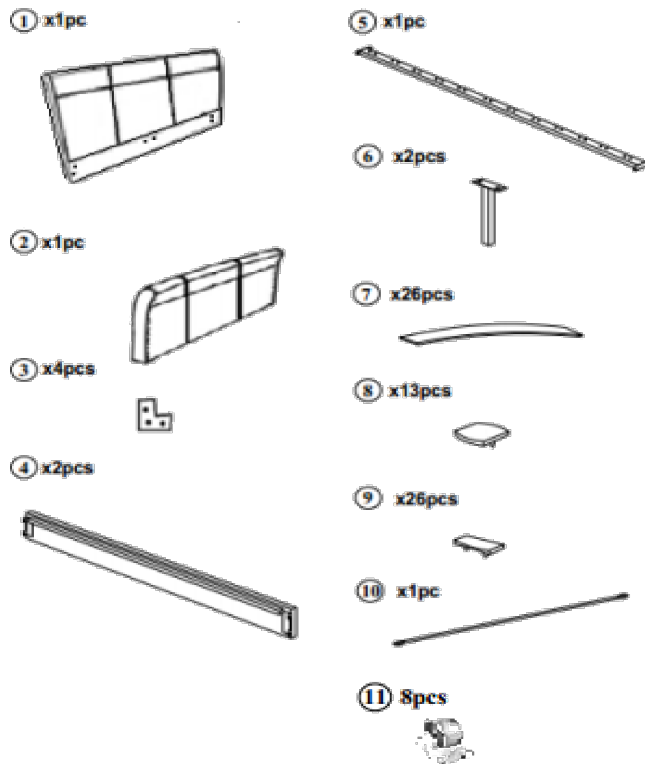
Roll Out Storage Bed Frame Quick Start Guide

IMPORTANT











- Please inspect all items carefully before assembling. If any parts are missing or damaged, please contact the Kogan.com customer support team.
- Place all parts on a clean, smooth surface such as a carpet or rug to stop the parts from being scratched.
- Follow the assembly instructions step by step.
- Do not tighten all of the screws until the bed is fully set-up.










THE USE OF POWER TOOLS TO ASSEMBLE THIS PRODUCT WILL DAMAGE THE PRODUCT MAKING IT UNSAFE, AND WILL INVALIDATE ANY WARRANTY CLAIMS

Parts List



Hardware List

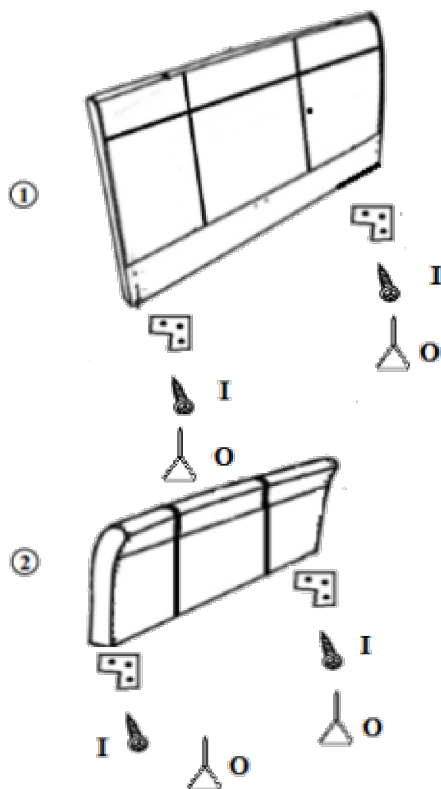
A		M8x20mm Bolt	16pcs
B		M8x35mm Bolt	4pcs
C		M6 Hex Nut	2pcs
D		M8 Hex Nut	4pcs
E		M6 Flat Washer	6pcs
F		M8 Flat Washer	16pcs
G		M6x30mm Bolt	4pcs
H		M6x45mm Bolt	2pcs
I		M5x50mm Wood Screw	12pcs
J		M4x40mm Wood Screw	40pcs

K		M4x16mm Wood Screw	32pcs
L		M8 Allen Key	1pc
M		M6 Spanner	1pc
N		M8 Spanner	1pc
O		Screw Driver	1pc
P		M6 Allen Key	1pc
Q		Drawer side	8pcs
R		Drawer Face	2pcs
S		Drawer-bottom board	2pcs

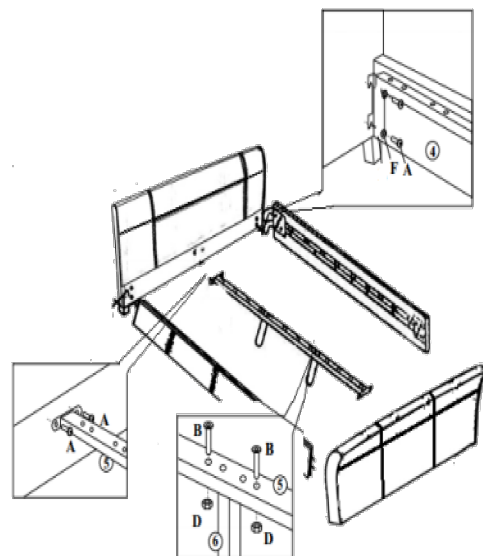
PLEASE CHECK THAT YOU HAVE ALL OF THE PARTS LISTED BEFORE YOU START ASSEMBLING. IF YOU DO FIND THAT SOMETHING IS MISSING, DO NOT COMMENCE ASSEMBLY. CONTACT THE KOGAN.COM CUSTOMER SUPPORT TEAM IMMEDIATELY.

Assembly

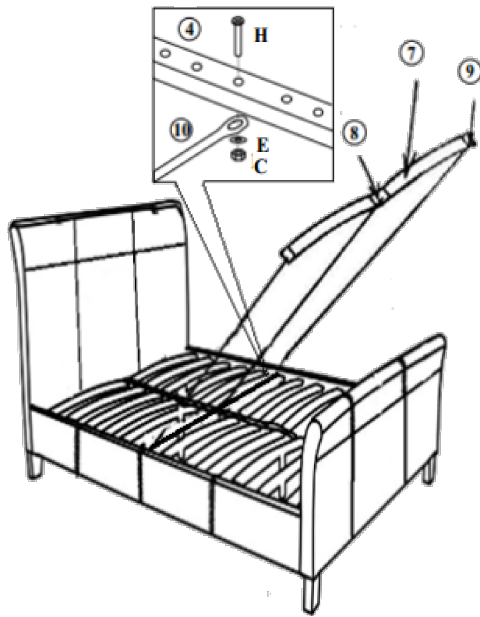
Step One



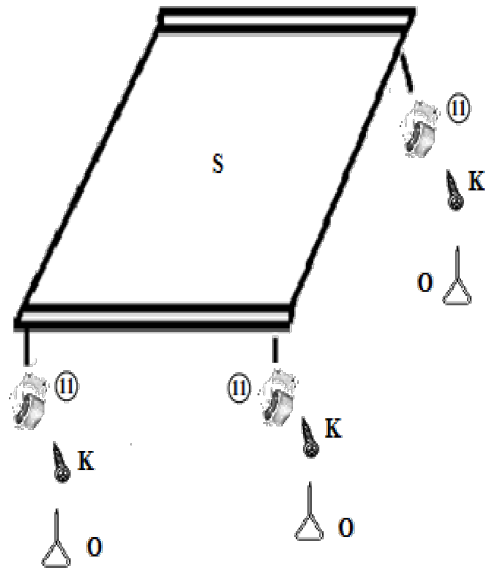
Step Two



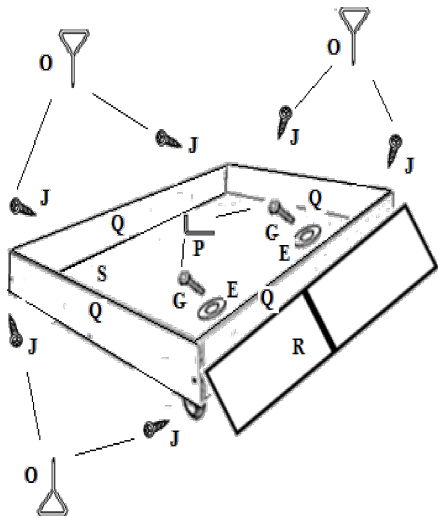
Step Three



Step Four



Step Five



If you have any further questions or concerns regarding the use of this product, please contact the Kogan.com customer support team.